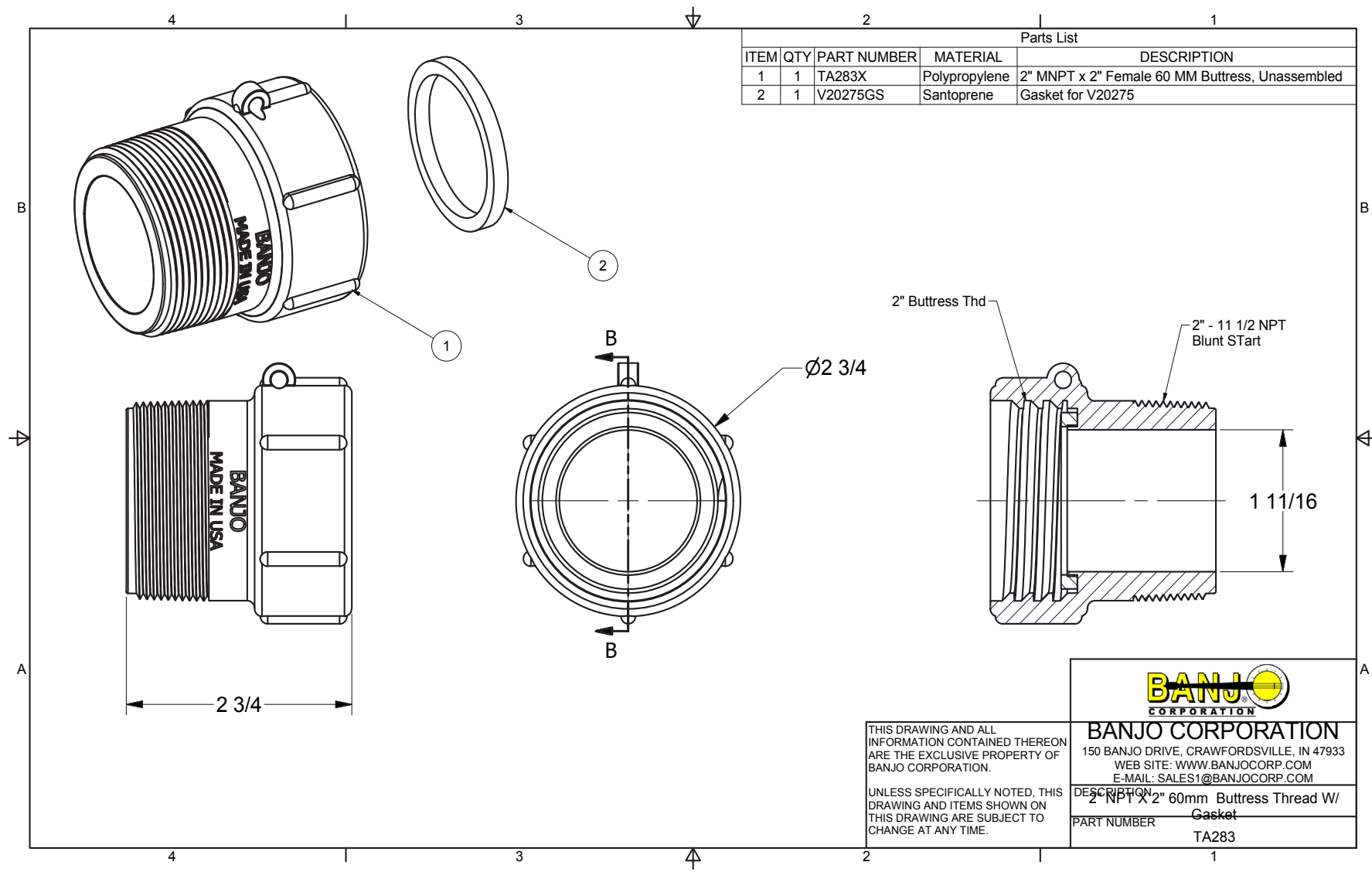




if it flows,
we go with it

1.800.665.4499
barrplastics.com



Parts List				
ITEM	QTY	PART NUMBER	MATERIAL	DESCRIPTION
1	1	TA283X	Polypropylene	2" MNPT x 2" Female 60 MM Buttress, Unassembled
2	1	V20275GS	Santoprene	Gasket for V20275

THIS DRAWING AND ALL INFORMATION CONTAINED THEREON ARE THE EXCLUSIVE PROPERTY OF BANJO CORPORATION.
UNLESS SPECIFICALLY NOTED, THIS DRAWING AND ITEMS SHOWN ON THIS DRAWING ARE SUBJECT TO CHANGE AT ANY TIME.

BANJO CORPORATION
 150 BANJO DRIVE, CRAWFORDSVILLE, IN 47933
 WEB SITE: WWW.BANJOCORP.COM
 E-MAIL: SALES1@BANJOCORP.COM

DESCRIPTION: 2" NPT X 2" 60mm Buttress Thread W/ Gasket
 PART NUMBER: TA283