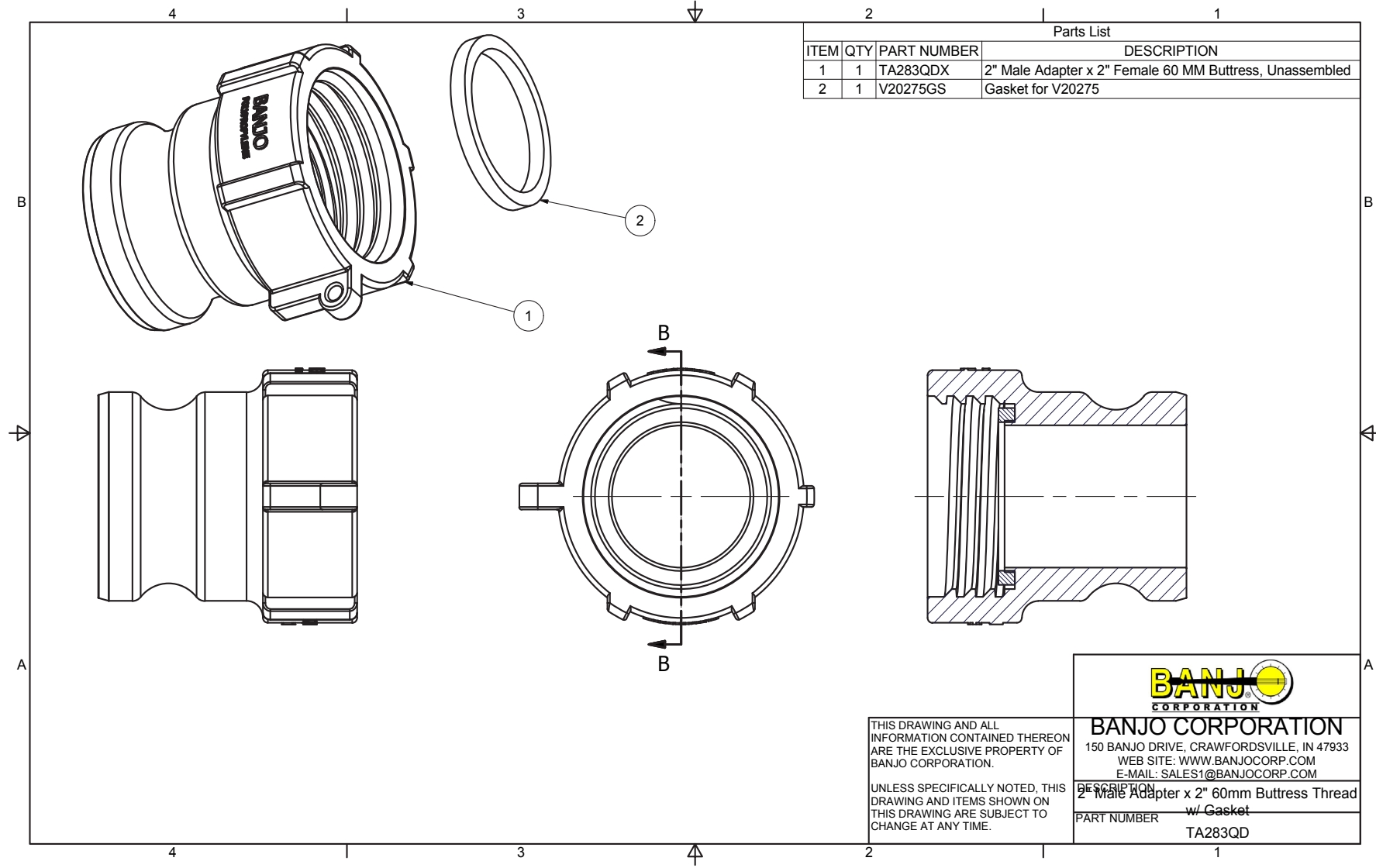




if it flows,
we go with it

1.800.665.4499
barrplastics.com



Parts List			
ITEM	QTY	PART NUMBER	DESCRIPTION
1	1	TA283QDX	2" Male Adapter x 2" Female 60 MM Buttress, Unassembled
2	1	V20275GS	Gasket for V20275

THIS DRAWING AND ALL INFORMATION CONTAINED THEREON ARE THE EXCLUSIVE PROPERTY OF BANJO CORPORATION.

UNLESS SPECIFICALLY NOTED, THIS DRAWING AND ITEMS SHOWN ON THIS DRAWING ARE SUBJECT TO CHANGE AT ANY TIME.

BANJO CORPORATION

150 BANJO DRIVE, CRAWFORDSVILLE, IN 47933
 WEB SITE: WWW.BANJOCORP.COM
 E-MAIL: SALES1@BANJOCORP.COM

DESCRIPTION	2" Male Adapter x 2" 60mm Buttress Thread w/ Gasket
PART NUMBER	TA283QD