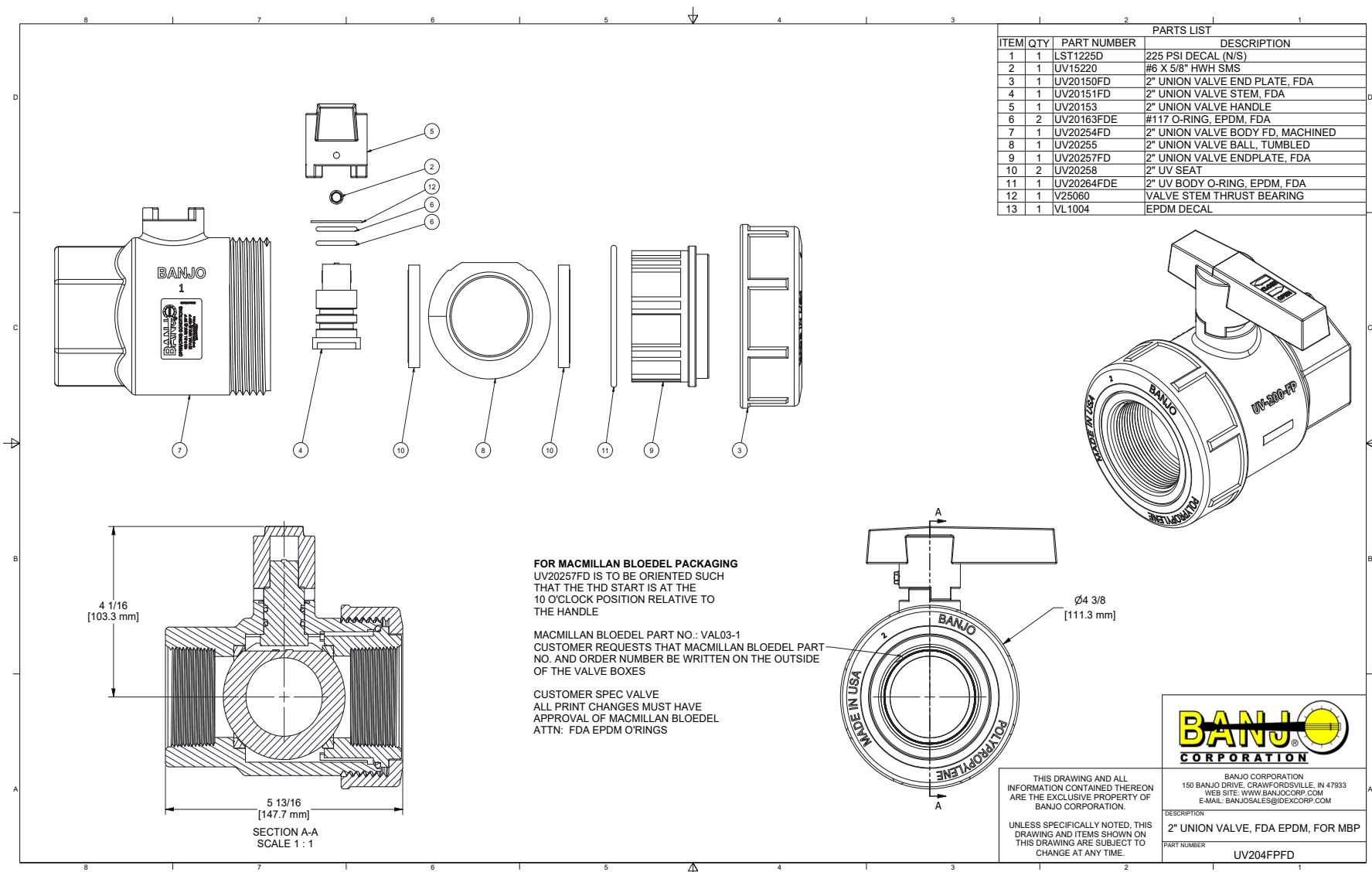




if it flows,  
we go with it

1.800.665.4499  
barrplastics.com

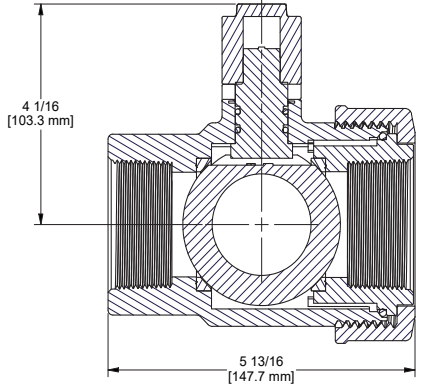
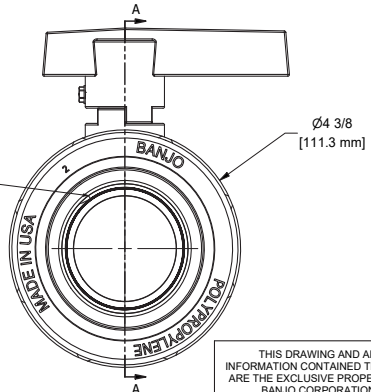


PARTS LIST			
ITEM	QTY	PART NUMBER	DESCRIPTION
1	1	LST1225D	225 PSI DECAL (N/S)
2	1	UV15220	#6 X 5/8" HWH SMS
3	1	UV20150FD	2" UNION VALVE END PLATE, FDA
4	1	UV20151FD	2" UNION VALVE STEM, FDA
5	1	UV20153	2" UNION VALVE HANDLE
6	2	UV20163FDE	#117 O-RING, EPDM, FDA
7	1	UV20254FD	2" UNION VALVE BODY FD, MACHINED
8	1	UV20255	2" UNION VALVE BALL, TUMBLED
9	1	UV20257FD	2" UNION VALVE ENDPLATE, FDA
10	2	UV20258	2" UV SEAT
11	1	UV20264FDE	2" UV BODY O-RING, EPDM, FDA
12	1	V25060	VALVE STEM THRUST BEARING
13	1	VL1004	EPDM DECAL

**FOR MACMILLAN BLOEDEL PACKAGING**  
 UV20257FD IS TO BE ORIENTED SUCH THAT THE THD START IS AT THE 10 O'CLOCK POSITION RELATIVE TO THE HANDLE

MACMILLAN BLOEDEL PART NO.: VAL03-1  
 CUSTOMER REQUESTS THAT MACMILLAN BLOEDEL PART NO. AND ORDER NUMBER BE WRITTEN ON THE OUTSIDE OF THE VALVE BOXES

CUSTOMER SPEC VALVE  
 ALL PRINT CHANGES MUST HAVE APPROVAL OF MACMILLAN BLOEDEL  
 ATTN: FDA EPDM O'RINGS



SECTION A-A  
SCALE 1:1

THIS DRAWING AND ALL INFORMATION CONTAINED THEREON ARE THE EXCLUSIVE PROPERTY OF BANJO CORPORATION.

UNLESS SPECIFICALLY NOTED, THIS DRAWING AND ITEMS SHOWN ON THIS DRAWING ARE SUBJECT TO CHANGE AT ANY TIME.

BANJO CORPORATION  
 150 BANJO DRIVE, CRAWFORDSVILLE, IN 47933  
 WEB SITE: WWW.BANJOCORP.COM  
 E-MAIL: BANJOSALES@DEXCORP.COM

DESCRIPTION  
 2" UNION VALVE, FDA EPDM, FOR MBP

PART NUMBER  
 UV204FPFD