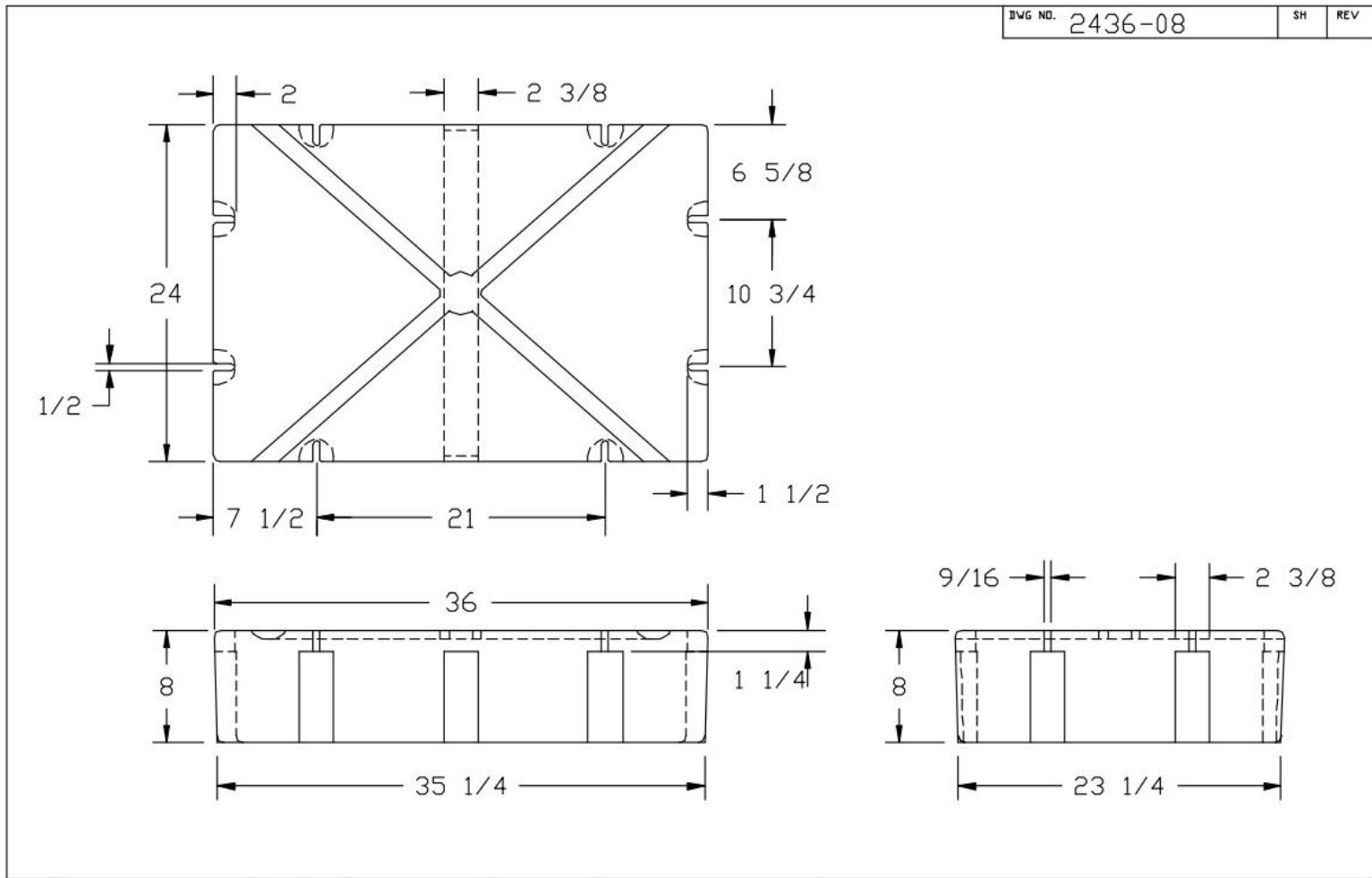




if it flows,
we go with it

1.800.665.4499
barrplastics.com



DWG NO. 2436-08	SH	REV
-----------------	----	-----

		DRAWN REH		DATE 12/24/98	MATERIAL POLYETHYLENE .150 NOM.WALL	BARR PLASTICS FLOATS	
		APPROVED		DATE			
REV	DESCRIPTION	DATE	APVD	THIRD ANGLE PROJECTION		PART NO. 2436-08	
SCALE NONE						PART WEIGHT	
UDS DIMENSIONS ARE IN INCHES GENERAL TOLERANCES $\pm 1\%$ @ 68° F						AF 16 LBS.	SIZE A
						FF 22 LBS.	DWG NO. 2436-08