

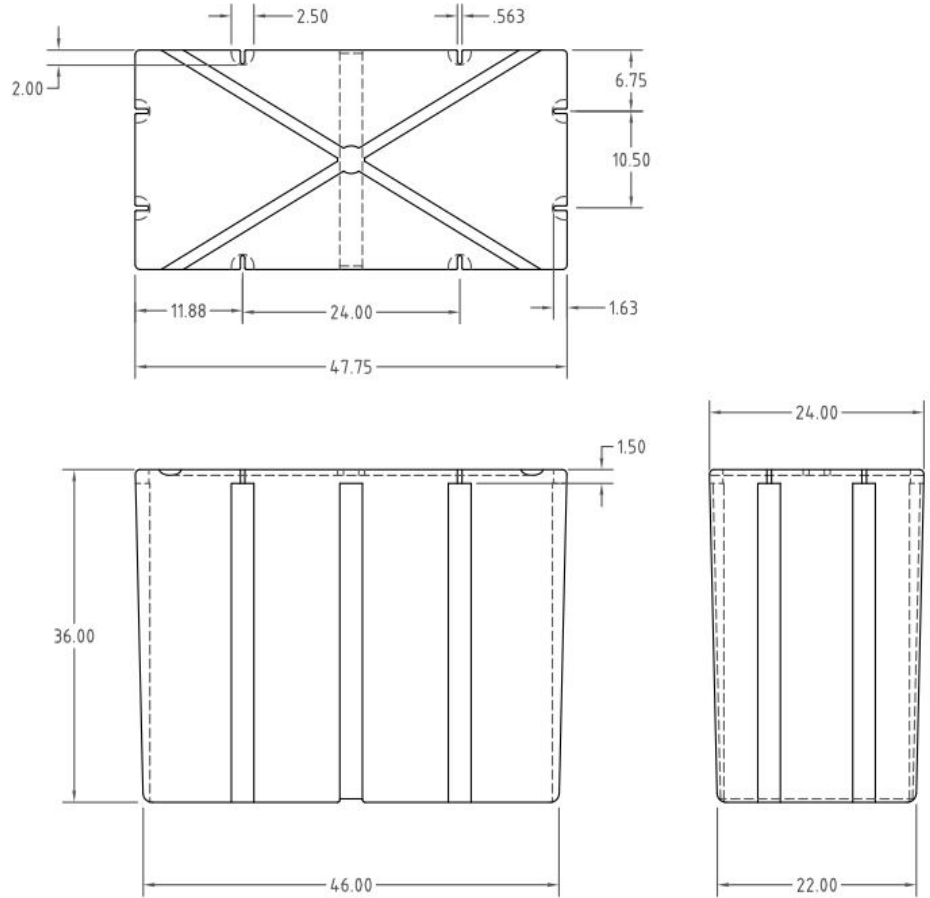


if it flows,
we go with it

1.800.665.4499
barrplastics.com

2448-36

A



NOTE: BUOYANCY IS 1314 LBS

				DRAWN / DATE REH/6/28/02		MATERIAL / SHOT WEIGHT				BARR PLASTICS FLOATS	
				M111 M135 U625 P938							
A	ADD BUOYANCY NOTE	1-8-07	GWC	APPRD. / DATE DHJ/6/28/02						CLIENT / DESCRIPTION 24 x 48 x 36 FLOAT DRUM	
REV	DESCRIPTION	DATE	APPRD							SCALE N.S.	PART NO. 2448-36
ALL DIMENSIONS ARE IN DECIMAL INCHES TOLERANCES UNLESS OTHERWISE SPECIFIED ± 1% @ 68° F				THIRD ANGLE PROJECTION ANSI 14.5M 		NOTES: 1. AF WEIGHT = 50LB 2. FF WEIGHT = 70LB 3. .175 NOM. WALL					