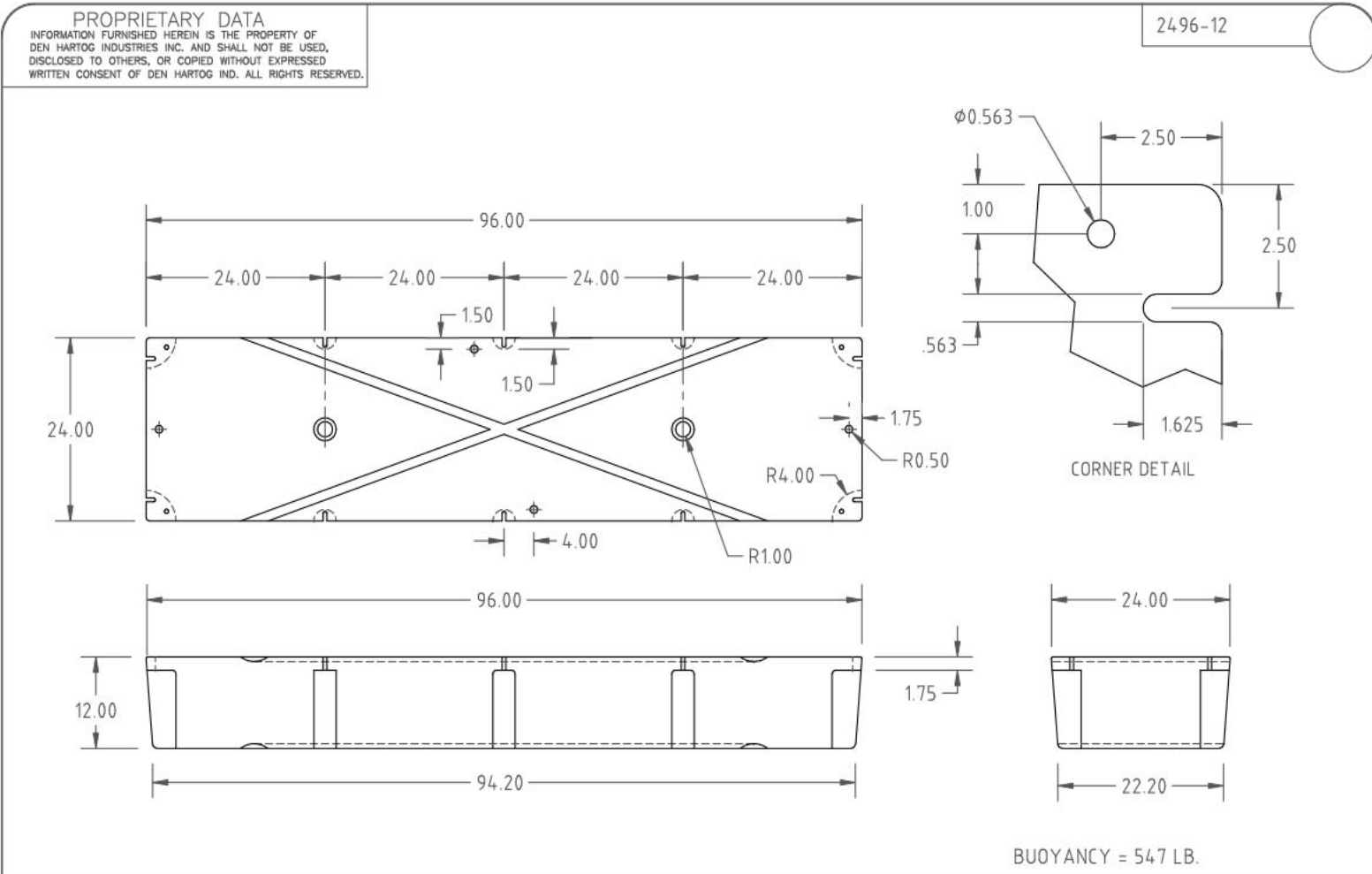




if it flows,
we go with it

1.800.665.4499
barrplastics.com



		DRAWN /DATE DHJ 9/19/07		MATERIAL FLOAT DRUM BLACK		 Ace Roto-Mold A DIVISION OF DEN HARTOG INDUSTRIES, INC. 4010 HOSPERS DRIVE SOUTH, BOX 425, HOSPERS, IOWA 51238	
		APPRD. /DATE REH 12/5/07				CLIENT / DESCRIPTION 24 x 96 x 12 FLOAT DRUM	
REV	DESCRIPTION	DATE	APPRD.	THIRD ANGLE PROJECTION ANSI 14.5M		SCALE NONE	PART NO. 2496-12
ALL DIMENSIONS ARE IN DECIMAL INCHES TOLERANCES UNLESS OTHERWISE SPECIFIED $\pm 1\% @ 68^{\circ}\text{F}$				 NOTES: AF = 48 LBS. FF = 64 LBS.			