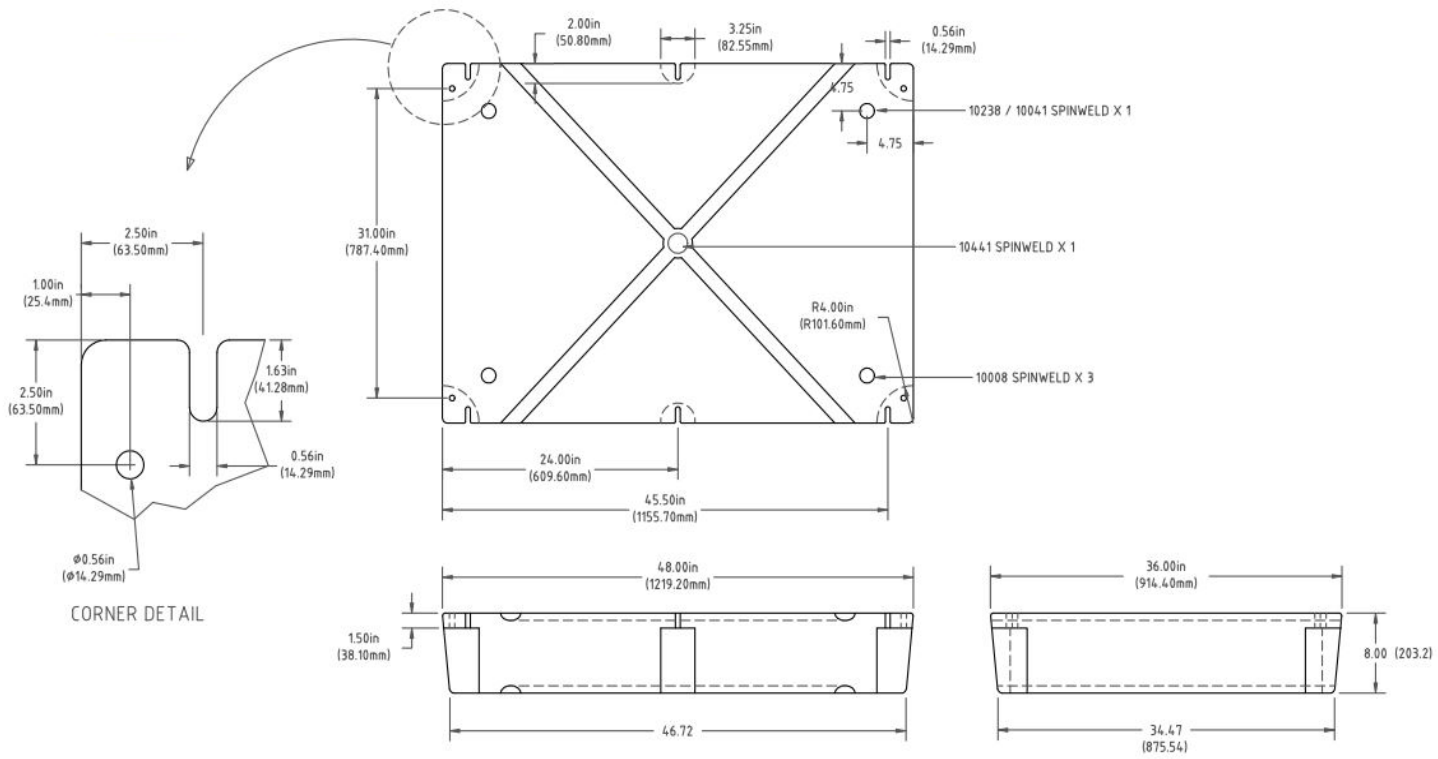




if it flows,
we go with it

1.800.665.4499
barrplastics.com

3648-08



NOTE: BUOYANCY IS 468 LBS (212.28 KG.)

		DRAWN / DATE DHJ 2/23/11		MATERIAL POLYETHYLENE 0.150in(3.81mm) NOM. WALL		barrplastics.com 1.800.665.4499	
		APPRD. / DATE REH 3/2/11					
REV	DESCRIPTION	BY / DATE	CCN	SHOT WEIGHT: AF 29LBS.	NOTES: 1. BLACK COLOR	DESCRIPTION 36 x 48 x 8 DOCK FLOAT	
ALL DIMENSIONS ARE IN DECIMAL INCHES TOLERANCES UNLESS OTHERWISE SPECIFIED POLYETHYLENE METAL ±1% @ 68° F DECIMAL ± .125" FRACTION ± 1/4" ANGLE ± 1°				THIRD ANGLE PROJECTION ANSI 14.5M		FINISH: SHIPPING WEIGHT: FF 36LBS.	
						SCALE	N.S.
						PART NO.	3648-08