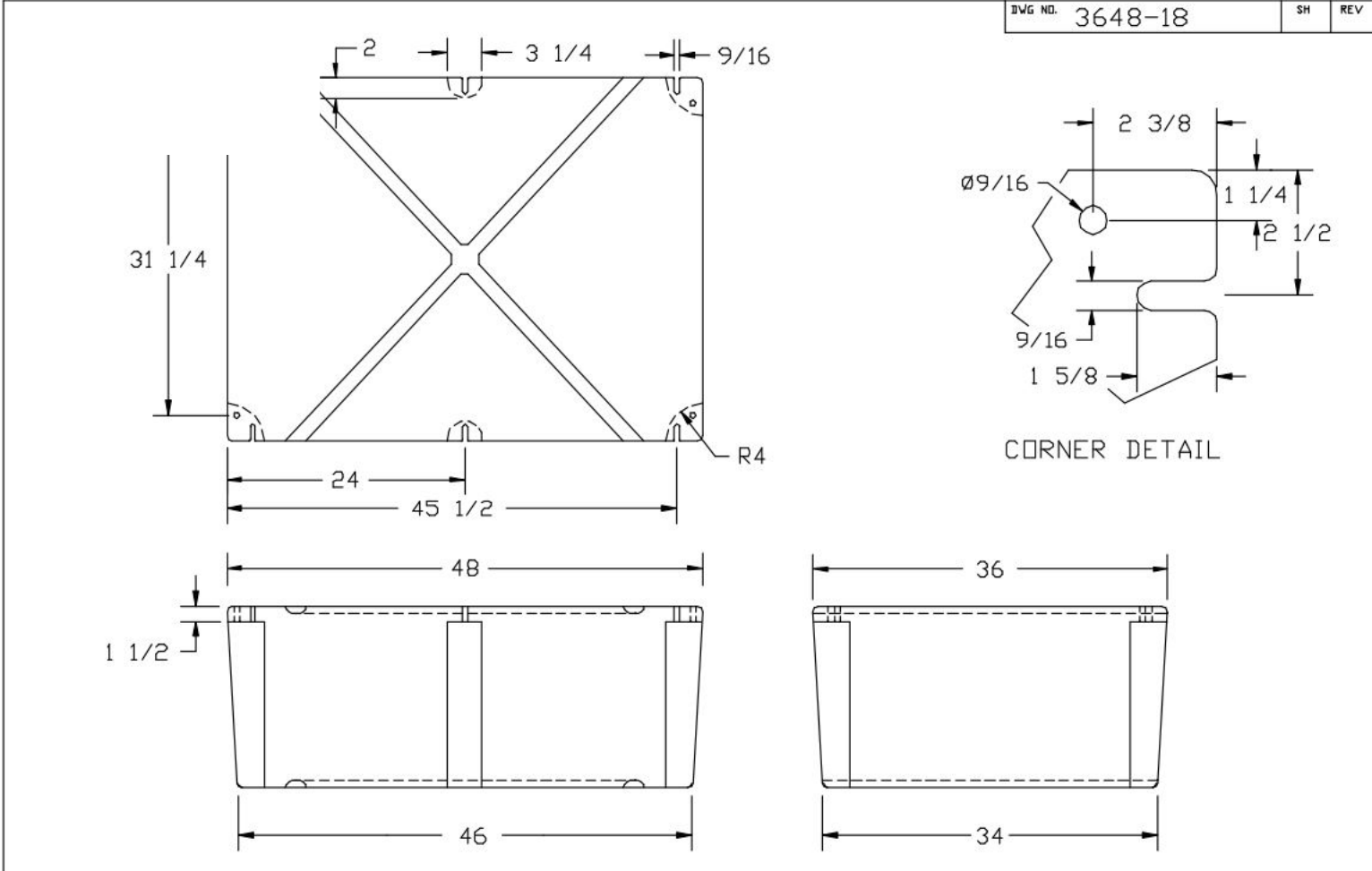




if it flows,
we go with it

1.800.665.4499
barrplastics.com



DWG NO. 3648-18 SH REV

DRAWN		BOB		DATE		11/12/02		MATERIAL		POLYETHYLENE		ACE ROTO-MOLD	
APPROVED				DATE				.125 MIN. WALL		PART NO.			
1		CHANGE WEIGHTS		11-18-94						SIZE		A	
REV		DESCRIPTION		DATE		APVD				DWG NO.		3648-18	
SCALE		NONE		THIRD ANGLE PROJECTION				PART WEIGHT		AF 35 LBS.		REV	
								FF 60 LBS.					
UDS DIMENSIONS ARE IN INCHES GENERAL TOLERANCES $\pm 1\% @ 68^{\circ} F$													