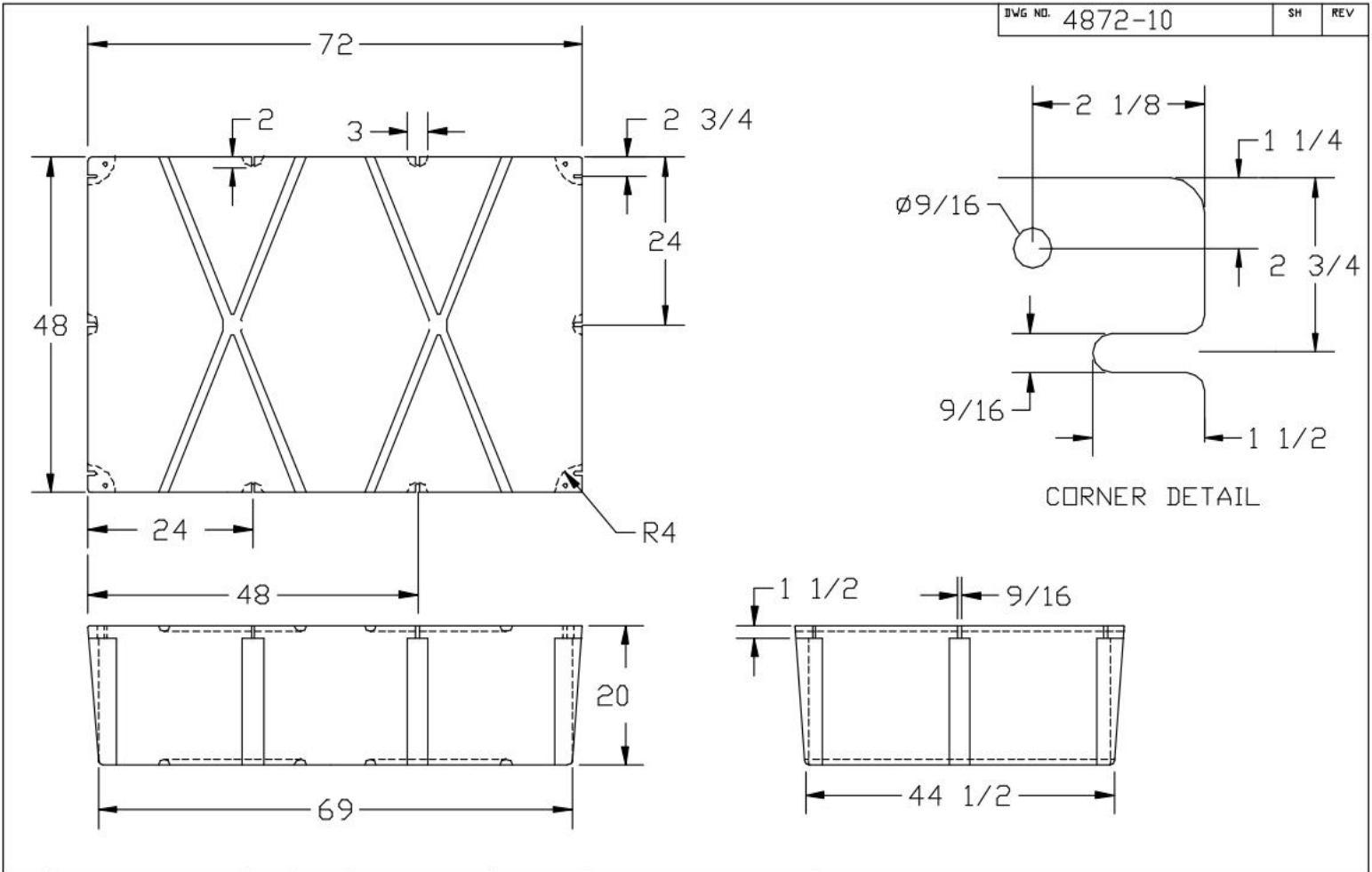




if it flows,
we go with it

1.800.665.4499
barrplastics.com



DWG NO. 4872-10 SH REV

DRAWN DEAN		DATE 11-18-94		MATERIAL POLYETHYLENE .150 NOM. WALL		ACE ROTO-MOLD	
APPROVED		DATE		PART WEIGHT AF 65 LBS. FF 116 LBS.		PART NO. 4872-20	
REV	DESCRIPTION	DATE	APVD	THIRD ANGLE PROJECTION		SIZE A	DWG NO. 4872-20
SCALE NONE						REV	
UDS DIMENSIONS ARE IN INCHES GENERAL TOLERANCES ± 1% @ 68° F							

This document contains proprietary information. It is intended solely for use of potential clients involved or to be involved in a transaction with BARR Plastics Inc.

© 2019 BARR PLASTICS INC