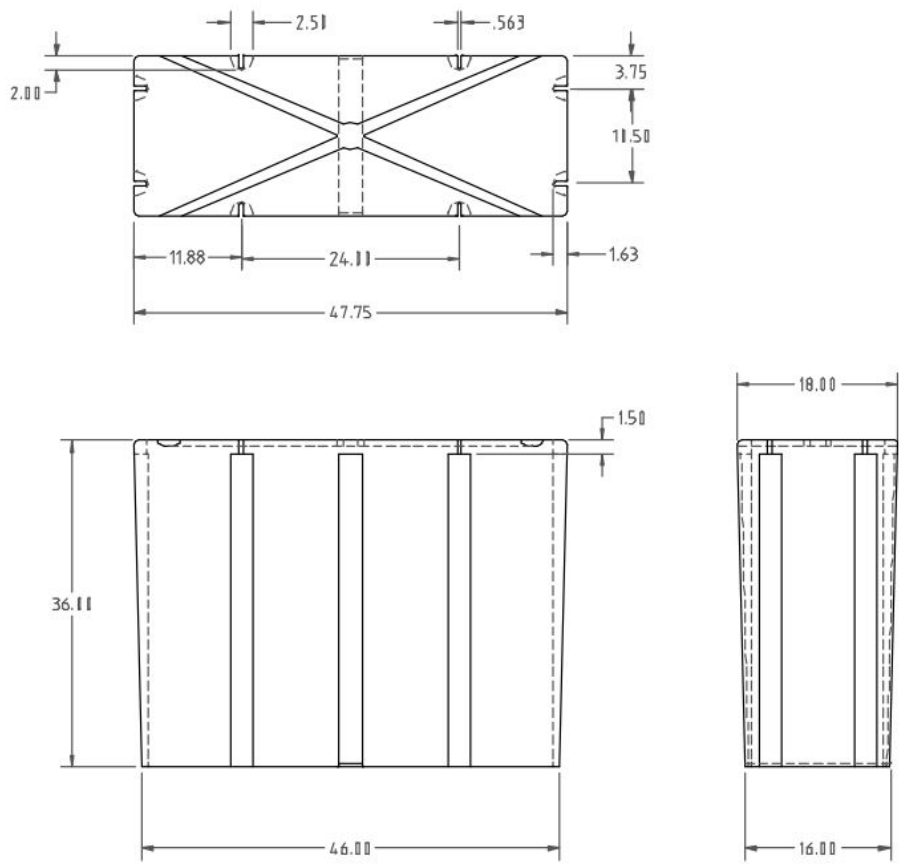




if it flows,  
we go with it

1.800.665.4499  
barrplastics.com

1848-36



				DRAWN / DATE DHJ/7/6/15		MATERIAL / SHOT WEIGHT		<b>ACE ROTO-MOLD</b> HIGHWAY 60 SOUTH, HOSPERS, IOWA	
				APPRD. / DATE		47 LBS.			
REV	DESCRIPTION	DATE	APPRD	THIRD ANGLE PROJECTION ANSI 14.2M 		NOTES: 1. AF WEIGHT = 47LB 2. FF WEIGHT = 64LB 3. .175 NOM. WALL		CLIENT / DESCRIPTION	
ALL DIMENSIONS ARE IN DECIMAL INCHES TOLERANCES UNLESS OTHERWISE SPECIFIED $\pm 1\% @ 68^\circ F$								SCALE	
						N.S.			