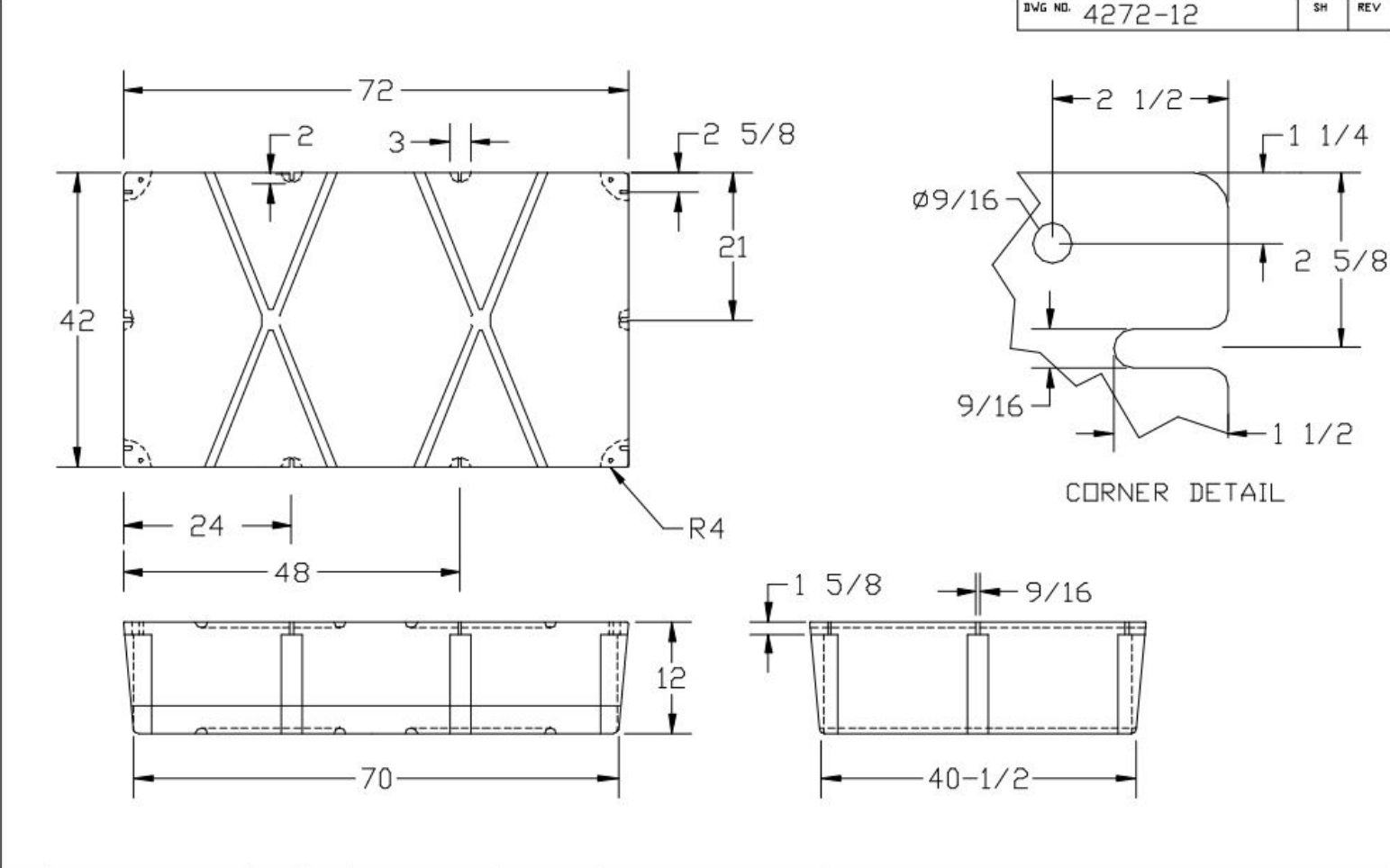




if it flows,  
we go with it

1.800.665.4499  
barrplastics.com



DWG NO. 4272-12 SH REV

DRAWN REH		DATE 10/15/02		MATERIAL POLYETHYLENE		<b>ACE ROTO-MOLD</b>	
APPROVED		DATE		.130 MIN. WALL			
REV	DESCRIPTION	DATE	APVD	PART WEIGHT		PART NO. 4272-12	
SCALE NONE				THIRD ANGLE PROJECTION		SIZE A	
UNOS DIMENSIONS ARE IN INCHES GENERAL TOLERANCES ± 1% @ 68° F						DWG NO. 4272-12	
				AF 55 LBS. FF 72 LBS.		REV	

This document contains proprietary information. It is intended solely for use of potential clients involved or to be involved in a transaction with BARR Plastics Inc.

© 2019 BARR PLASTICS INC