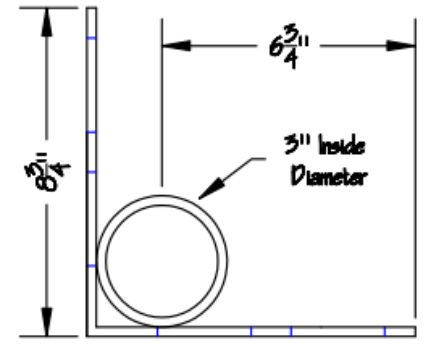




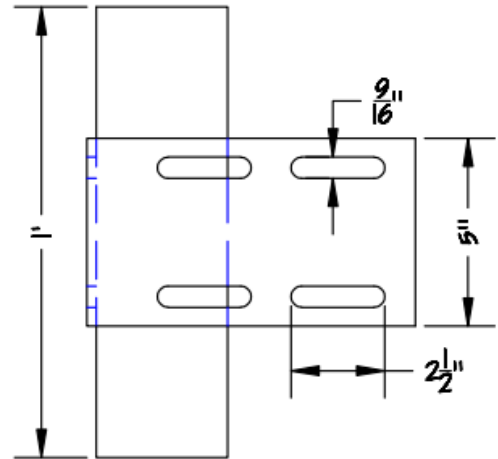
if it flows,
we go with it

1.800.665.4499
barrplastics.com



Inside Corner / 3" I.D. Pipe Holder (H-ICP3)

This inside corner has a 3" I.D. Pipe welded in place. It can be used to replace a regular inside corner (H-IC) but will accommodate a 2" I.D. pipe.



All hardware is 1/4" thick steel that is hot-dipped galvanized, unless otherwise noted.

		Inside Corner / 3" I.D. Pipe Holder (H-ICP3)		
		Hardware Detail		