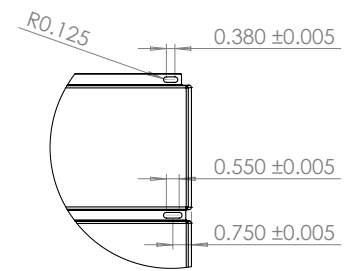
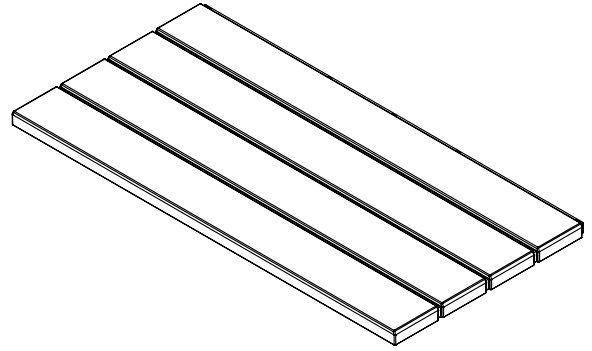
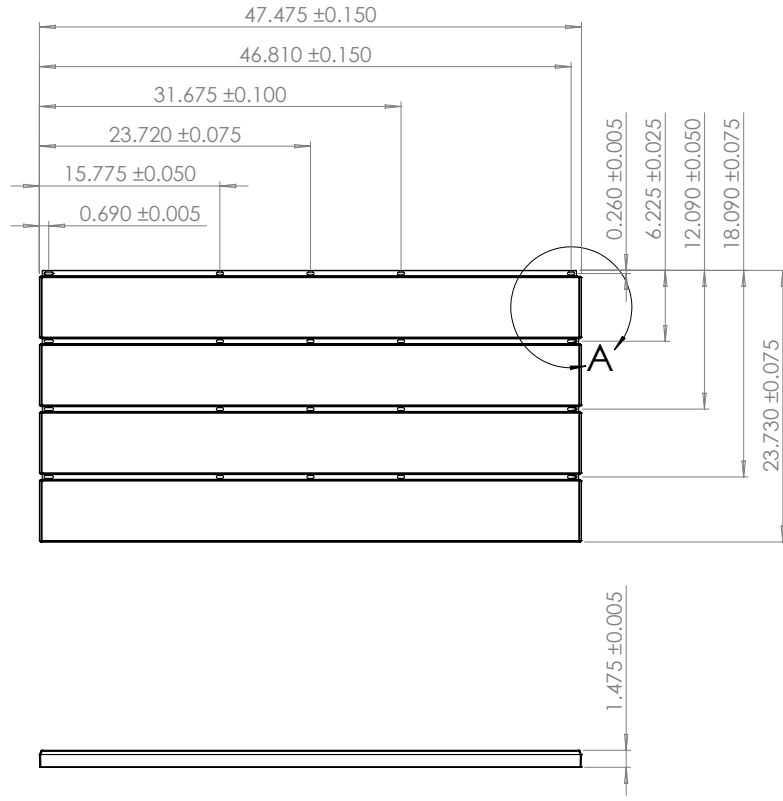




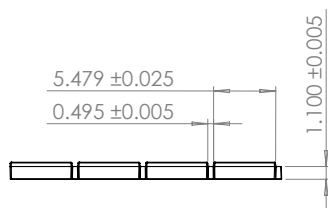
if it flows,  
we go with it

1.800.665.4499  
barrplastics.com

REVISIONS					
REV.	DESCRIPTION	ECN#	DWGN	DATE	APPROVED
0	INITIAL RELEASE		PF	24/10/2016	RA



DETAIL A  
SCALE 1 : 5



NOTES: TEXTURE NOT SHOWN

UNLESS OTHERWISE SPECIFIED:	NAME	DATE	PART FILE:
DIMENSIONS ARE IN INCHES	DRAWN	PF	20/10/16
TOLERANCES:	CHECKED	GR	24/10/16
FRACTIONAL ±	ENG APPR.	RA	24/10/16
ANGULAR: MACH ± BEND ±	MFG APPR.		
TWO PLACE DECIMAL ±	Q.A.		
THREE PLACE DECIMAL ±			
INTERPRET GEOMETRIC TOLERANCING PER:			
MATERIAL	PP20CaCO3		
FINISH	GRAIN TEXTURE		
DO NOT SCALE DRAWING			

TITLE: Wood Series 4824		
SIZE	DWG. NO.	REV
B	912-P-16-001-0	0
SCALE: 1:10	WEIGHT: 13.4 lbs	SHEET 1 OF 1

