



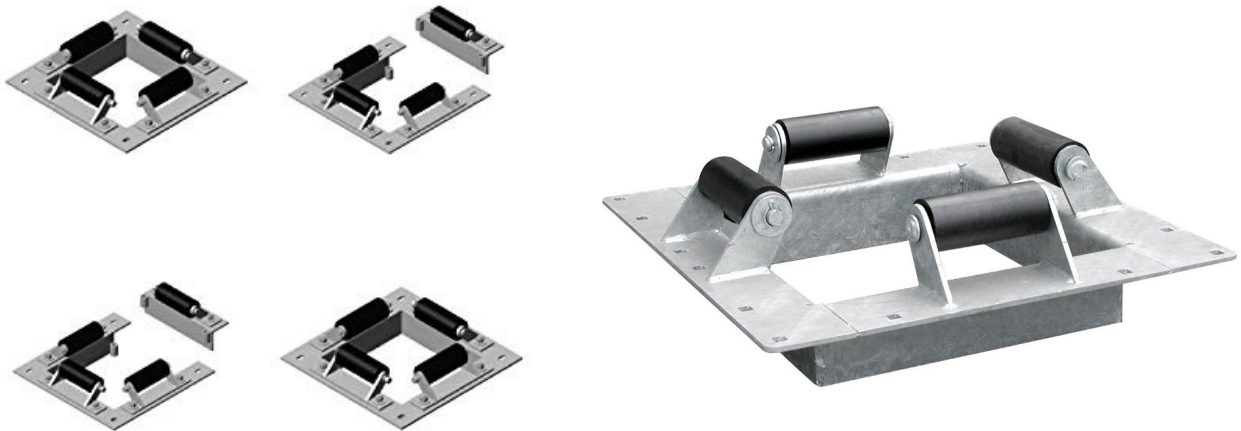
if it flows,
we go with it

1.800.665.4499
barrplastics.com

Dock Accessories

Internal Square Dock Pile Guides

Designed for holding pilings within your dock, our internal square pile guides are hot dipped galvanized after fabrication and are available in several models. All are made from 3" x 3" x 1/4" angles and have four 6" rubber rollers included. Replace rubber rollers with UHMW rollers in more demanding applications.



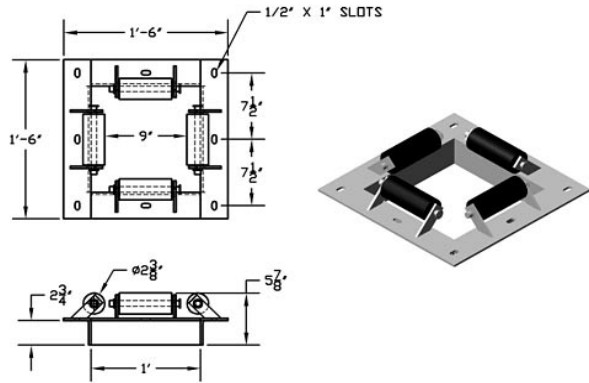
Part #	Description	Size (in)	Weight (in)
PH-9IN	Internal Square Pile Guide - Complete	9	34
PH-9INR	Internal Square Pile Guide - Complete With Removeable Side	9	35
PH-12IN	Internal Square Pile Guide - Complete	12	37
PH-12INR	Internal Square Pile Guide - Complete With Removeable Side	12	38
PH-15IN	Internal Square Pile Guide - Complete	15	48
PH-15INR	Internal Square Pile Guide - Complete With Removeable Side	15	49
H-RA	Roller Assembly (See picture on External Guides Page)	N/A	6



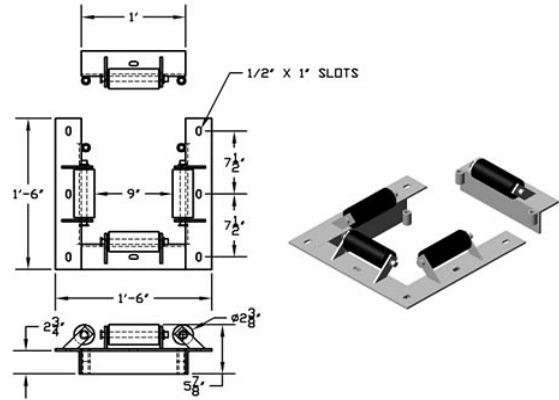
if it flows,
we go with it

1.800.665.4499
barrplastics.com

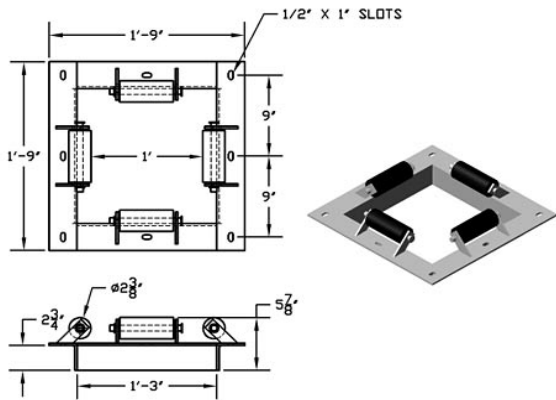
Complete External Square Assemblies



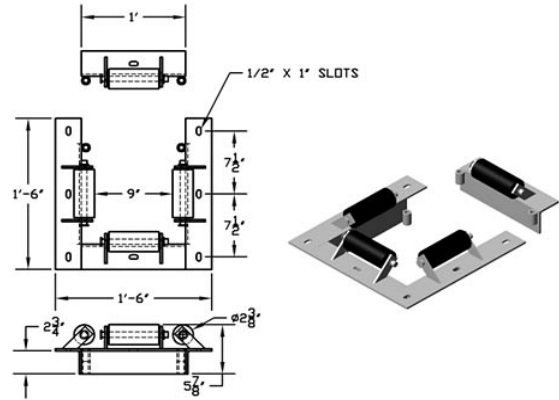
PH-9IN



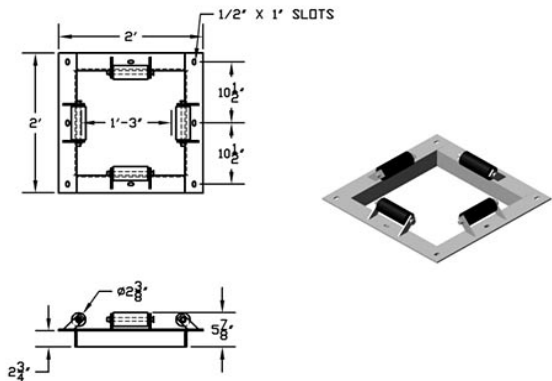
PH-9INR



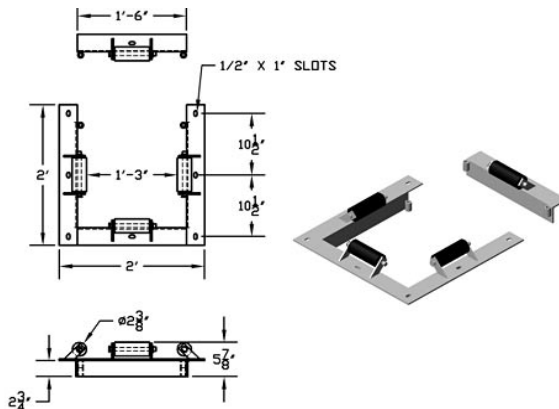
PH-12IN



PH-12INR



PH-15IN



PH-15INR