



if it flows,  
we go with it

1.800.665.4499  
barrplastics.com

# Dock Accessories

## Dock Pile Hoop Holders

Our convertible dock pile hoops have three basic pieces: a dock bracket, a hoop and a roller assembly, allowing you to configure it how you want. All hoops are 1.5" schedule 40 pipe. The dock brackets are 4" x 6" x 1/4" angles. The roller assembly features a 6" solid rubber roller and can be bolted to the deck plate or directly to the dock. All parts are hot dipped galvanized.



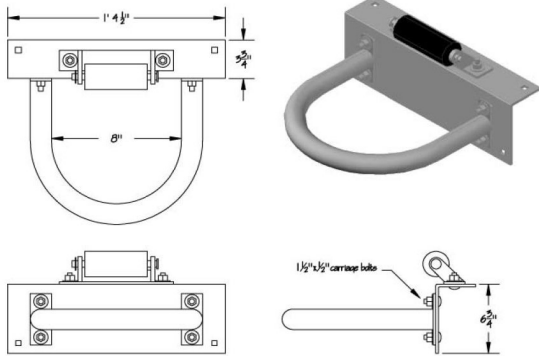
Part #	Description	Size (in)	Weight (in)
PH-H8R	Pile Hoop - Complete Assembly	8	26
PH-H10R	Pile Hoop - Complete Assembly	10	27
PH-H12R	Pile Hoop - Complete Assembly	12	32
PH-H14R	Pile Hoop - Complete Assembly	14	33
PH-H16R	Pile Hoop - Complete Assembly	16	36
PH-H18R	Pile Hoop - Complete Assembly	18	37
H-RA	Roller Assembly - With Rubber Roller	N/A	6
H-R	Solid Rubber Roller	6	0.75
H-RU	UHMWPE (Ultra High Molecular Weight) Heavy Duty Roller	6	1



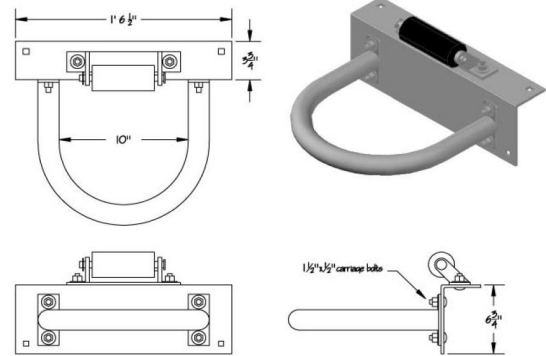
if it flows,  
we go with it

1.800.665.4499  
barrplastics.com

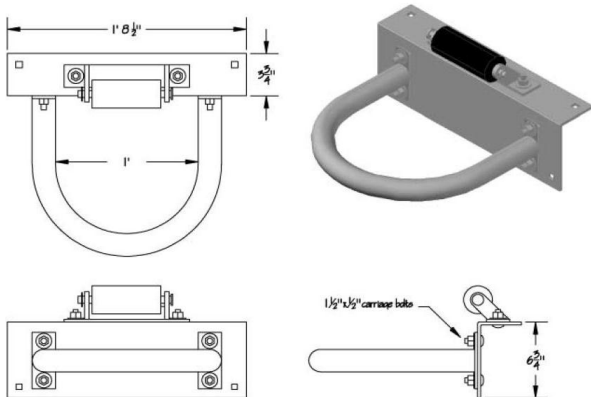
## Complete External Square Assemblies



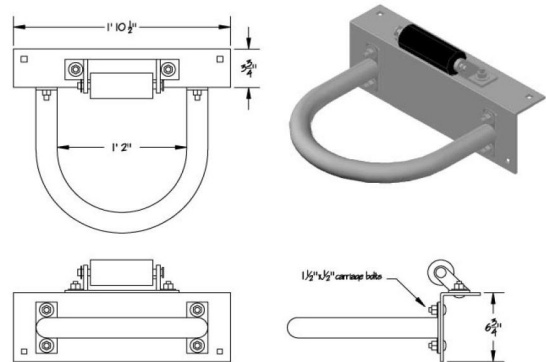
PH-H8R



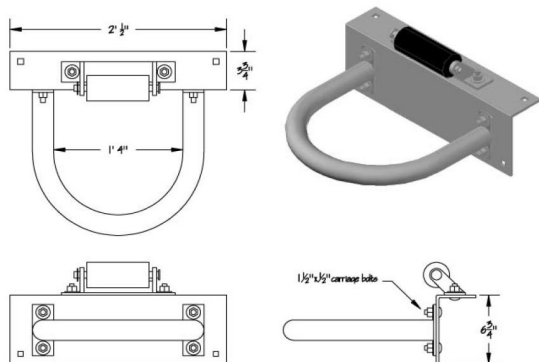
PH-H10R



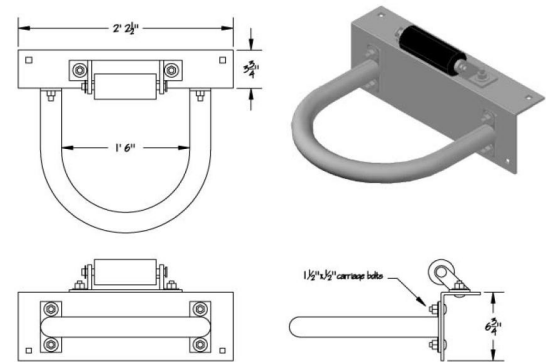
PH-H12R



PH-H14R



PH-H16R



PH-H18R