



if it flows,
we go with it

1.800.665.4499
barrplastics.com

Dock Edging

Product Configuration

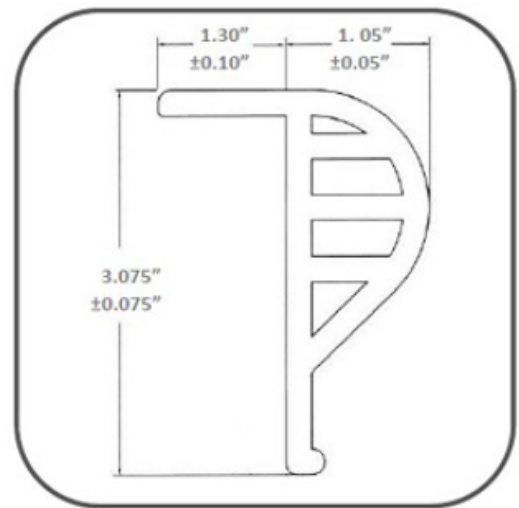
Item 5005 BARR Commercial Dock Edging - 10'

Product Specifications

Material: Polyvinyl chloride extrusion compound
 Colour: Black or white
 Weight: 10.90 lbs per 10' length (nomial)

Packaging Specifications

Edging is shipped in straight lengths. 10 pieces per box, 20 boxes per crate.



Physical Property Testing

Commercial Dock Edging products pass the following:

Specific Gravity	ASTM D-792	1.4 Nominal Value
Durometer	ASTM D-2240	85 Nominal Value
Accelerated UV Weathering	ASTM D-4329 at 50° C	No Failure
Fugus Growth	ASTM G-21	No Failure
Cold Flexibility	1 inch OD mandrel bend at 29° C	No Failure
Flammability	FMVSS302	Passed
Tensile Strength	ASTM D624 Die C	12.4 Minimum
Elongation %	ASTM D624 Die C	200% Minimum
Tear Strength	ASTM D624 Die C	44 Minimum