



if it flows,
we go with it

1.800.665.4499
barrplastics.com

Pipe Float Assembly Guide

For 2"-24" BARR Plastics Pipe Floats

Tools & Hardware Required:

Tools Required:

2- 9/16" Wrenches or Impact Gun

Included Hardware:

4- 5/8" Bolts

8- 5/8" Nuts

8- Washers

Assembling your Pipe Floats

1. Place one half of the Pipe Float on the ground (Fig. 1)
2. Lay the pipe into the Float (Fig. 2)
3. Place the remaining half of the Pipe Float on top of the pipe. The alignment legs should enter the depression on the bottom float half (Fig. 3)
4. Install the included bolts and washers into the bolt holes.
5. Tighten the bolts equally around the float (Fig. 4)
 - For maximum effectiveness, ensure the bolts are fully tightened
 - Recommended torque specification: 25 Foot Pounds
 - Each bolt comes with 2 nuts; install the second nut onto each bolt to prevent the nuts from backing off
6. Now you're ready to use your Pipe Floats!

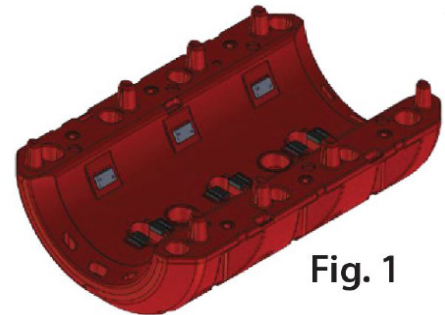


Fig. 1

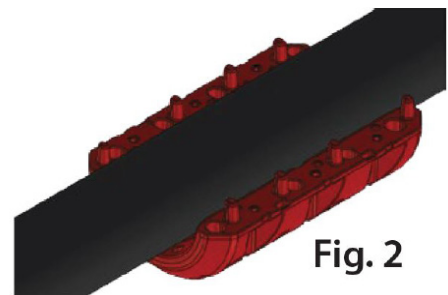


Fig. 2

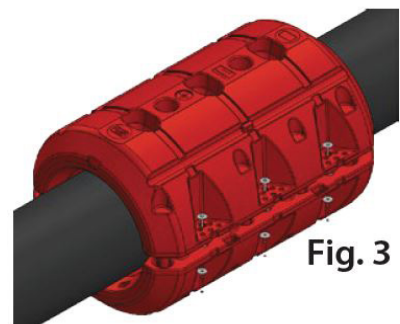


Fig. 3

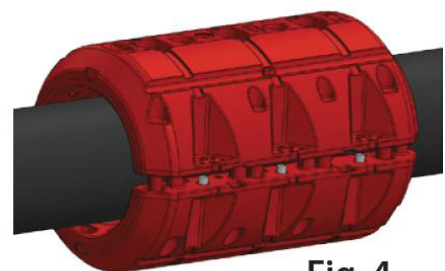


Fig. 4



if it flows,
we go with it

1.800.665.4499
barrplastics.com

Best Use & Storage Recommendations

For 2"-24" BARR Plastics Pipe Floats



Fig. 5

Best Use Recommendations

For best installation results, install your floats in moderate temperatures.

To extend the life of your Pipe Floats, we recommend the following:

- Avoid dragging the floats on the ground to prevent damage to your floats
- Unless sold with ice protection, it is recommended to remove your Pipe Floats from the water if you expect the body of water to ice over.

Storage and on-Land Recommendations

If you plan on storing your Pipe Floats on land for more than 24 hours, it is recommended to disassemble the Floats from your pipeline.

Whenever storing or transporting floats, it is recommended to store them as pictured in either figure 5 or 6.

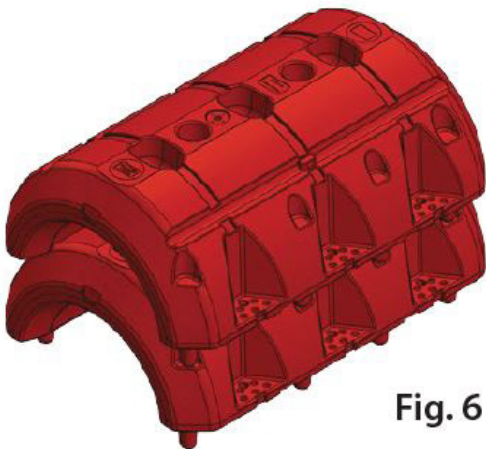


Fig. 6