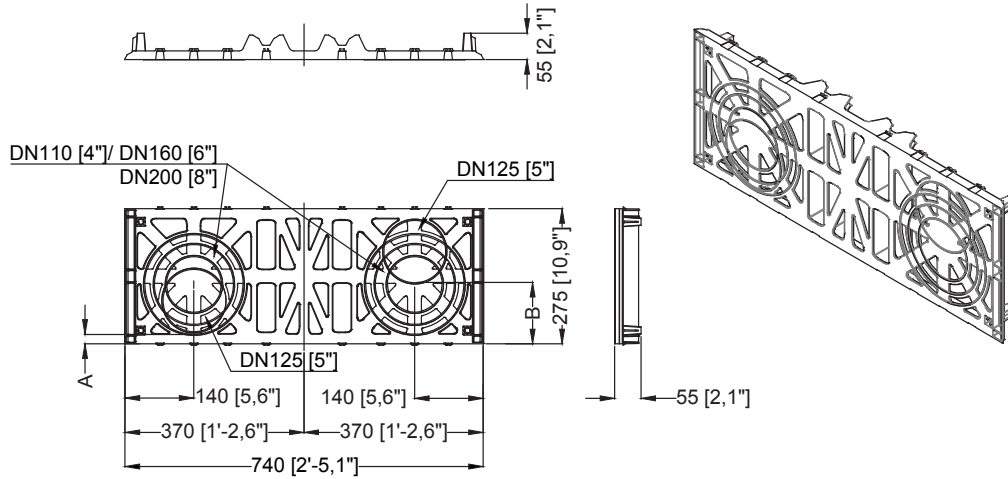




if it flows,
we go with it

1.800.665.4499
barrplastics.com



A = 65 mm (DN110) / 40 mm (DN160) / 25 mm (DN125) / 20 mm (DN200)

B = 125 mm (DN125)

A = 2.6" [4"] / 1.6" [6"] / 1" [5"] / 0.8" [8"]

B = 4.9" [5"]



D			GRAF EcoBloc Inspect Endplatte (Set 2 Stück)	Artikel-Nr. product no. article no. artículo no.	402002	
GB	GRAF EcoBloc inspect endplate (set 2 pcs.)	ES	GRAF EcoBloc inspect placas laterales (set 2 piezas)	FR	GRAF EcoBloc inspect parois (lot 2 pièce)	revision
gezeichnet drawn	ISC	Gewicht weight	1,5 kg	BARR Plastics Inc. Abbotsford, BC info@barrplastics.com barrplastics.com		
Datum date	2019.05.21	Toleranz tolerance	+/- 3%			
Maßstab scale	M 1:15	Einheiten units	mm [inch] gal. = US gal.			