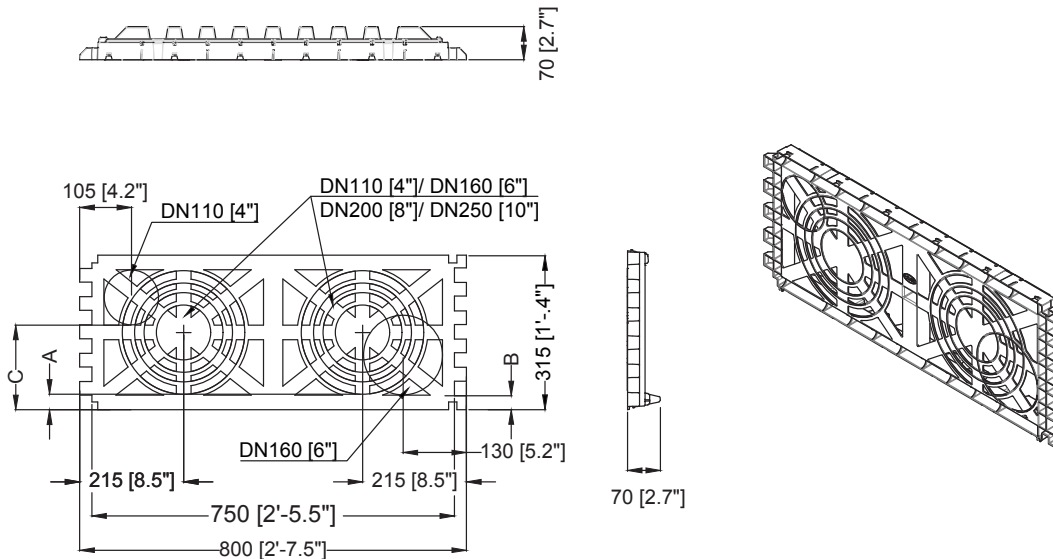




if it flows,  
we go with it

1.800.665.4499  
barrplastics.com



A = 100 mm (DN110) / 75 mm (DN160) / 55 mm (DN200) / 30 mm (DN250)
B = 25 mm (DN160)
C = 170 mm (DN110)

A = 3.9" [4"] / 3" [6"] / 2.2" [8"] / 1.2" [10"]
B = 1" [6"]
C = 6.7" [4"]



D GRAF EcoBloc light Endplatte (Set 2 Stück)			Artikel-Nr. product no. article no. articulo no. <b>402303</b>
GB GRAF EcoBloc light endplate (set 2 pcs.)	ES GRAF EcoBloc light placas laterales (set 2 piezas)	FR GRAF EcoBloc light parois (lot 2 pièce)	revision
gezeichnet drawn ISC	Gewicht weight 2 kg	BARR Plastics Inc. Abbotsford, BC info@barrplastics.com barrplastics.com	
Datum date 2019.02.13	Toleranz tolerance +/- 3%		
Maßstab scale M 1:15	Einheiten units mm [inch] gal. = US gal.		

