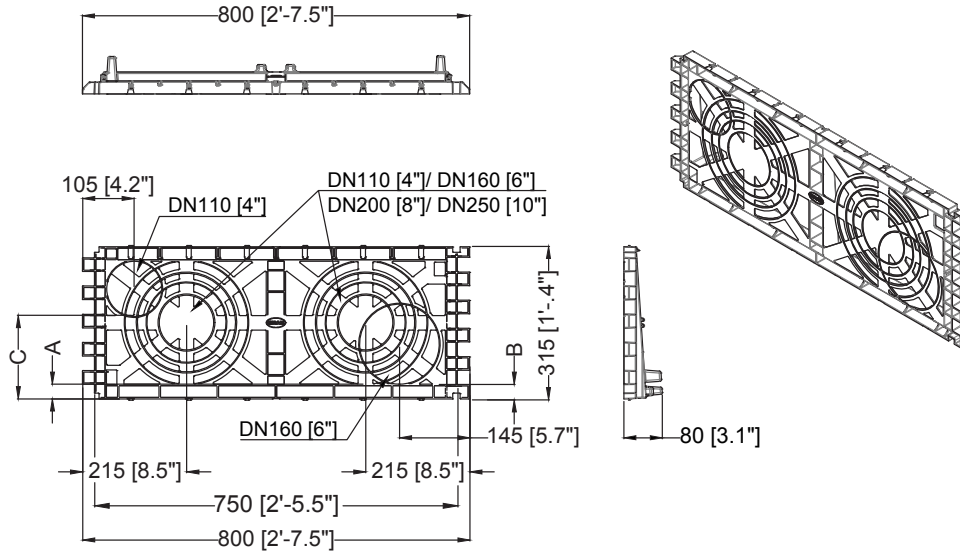




if it flows,
we go with it

1.800.665.4499
barrplastics.com



A = 100 mm (DN110) / 75 mm (DN160) / 55 mm (DN200) / 30 mm (DN250)
B = 25 mm (DN160)
C = 170 mm (DN110)

A = 3.9" [4"] / 3" [6"] / 2.2" [8"] / 1.2" [10"]
B = 1" [6"]
C = 6.7" [4"]



D			GRAF EcoBloc maxx Endplatte (Set 2 Stück)		Artikel-Nr. product no. article no. articulo no.	402203
GB	GRAF EcoBloc maxx endplate (set 2 pcs.)	ES	GRAF EcoBloc maxx placas laterales (set 2 piezas)	FR	GRAF EcoBloc maxx parois (lot 2 pièce)	revision
gezeichnet drawn	ISC	Gewicht weight	2 kg	BARR Plastics Inc. Abbotsford, BC info@barrplastics.com barrplastics.com		
Datum date	2019.02.14	Toleranz tolerance	+/- 3%			
Maßstab scale	M 1:15	Einheiten units	mm [inch] gal. = US gal.			