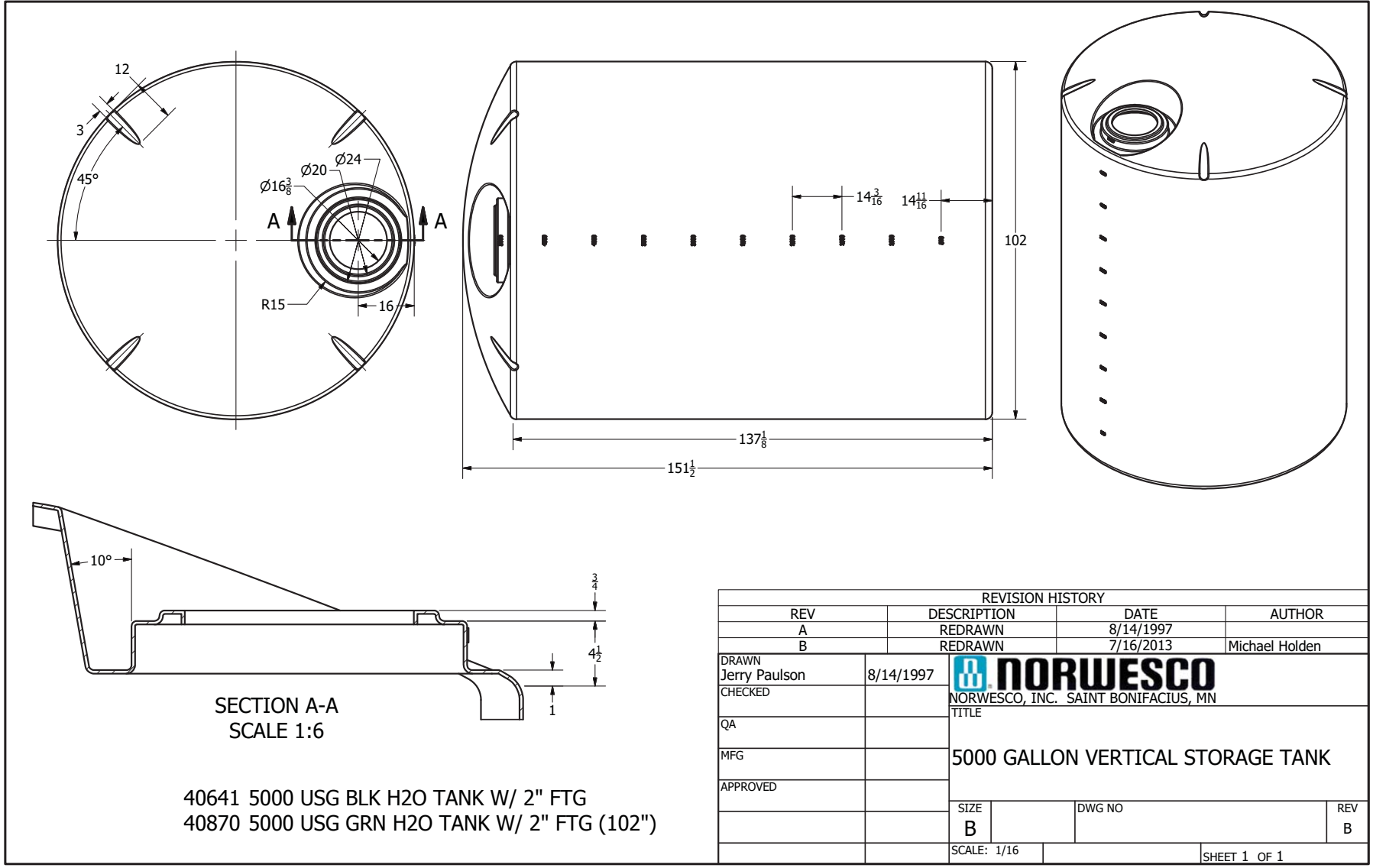




if it flows,
we go with it

1.800.665.4499
barrplastics.com



SECTION A-A
SCALE 1:6

40641 5000 USG BLK H2O TANK W/ 2" FTG
40870 5000 USG GRN H2O TANK W/ 2" FTG (102")

REVISION HISTORY			
REV	DESCRIPTION	DATE	AUTHOR
A	REDRAWN	8/14/1997	
B	REDRAWN	7/16/2013	Michael Holden
DRAWN	Jerry Paulson	8/14/1997	 NORWESCO, INC. SAINT BONIFACIUS, MN
CHECKED			
QA			TITLE
MFG			5000 GALLON VERTICAL STORAGE TANK
APPROVED			
	SIZE	DWG NO	REV
	B		B
	SCALE: 1/16		SHEET 1 OF 1