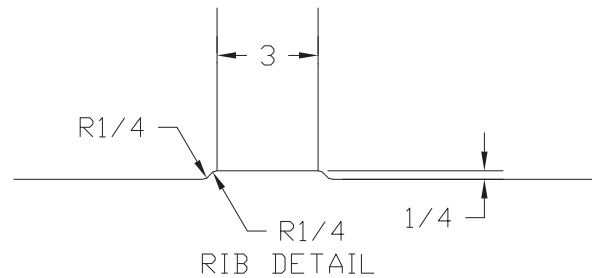


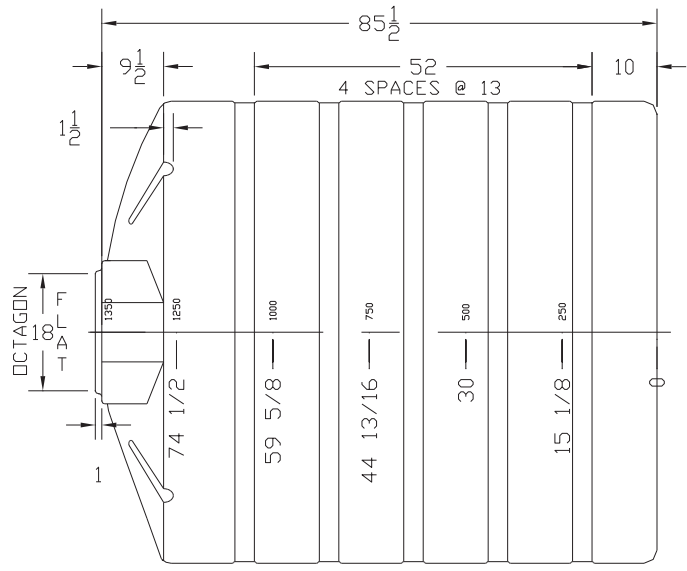
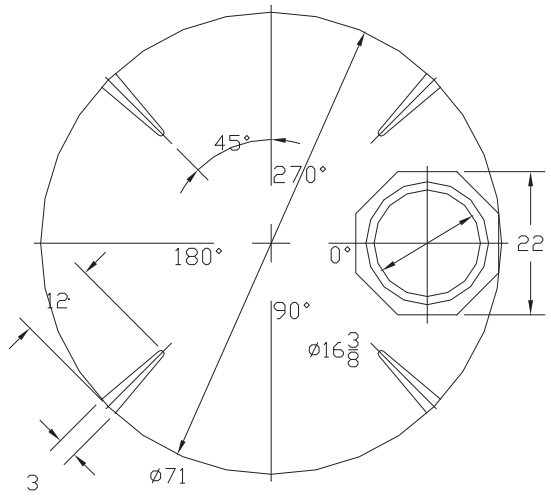


if it flows,  
we go with it

1.800.665.4499  
barrplastics.com



<b>NORWESCO</b>		REV
ST. BONIFACIUS, MN		
1350 USG (5110 LTRS)		
VERTICAL TANK		
<b>205 WT LBS</b>	<b>Part No 40858</b>	



ALL INFORMATION CONTAINED IN THIS DRAWING IS STRICTLY CONFIDENTIAL AND PROPERTY OF BARR PLASTICS INC. NO PART SHALL BE COPIED OR REPRODUCED WITHOUT THE WRITTEN CONSENT OF BARR PLASTICS INC.

**Customer Drawing Approval**

Customer \_\_\_\_\_  
Barr Plastic Inc. \_\_\_\_\_



DATE: 22 SEP 05

PROJECT:  
- TANK APPROVAL DWG

CLIENT:  
-  
DRAWING REF:

SCALE:  
-  
REV:

MATERIAL SPECIFICATIONS  
HDPE 1.5 SPG  
ALL FITTINGS ARE  
POLYPROPYLENE WITH  
EPDM GASKETS