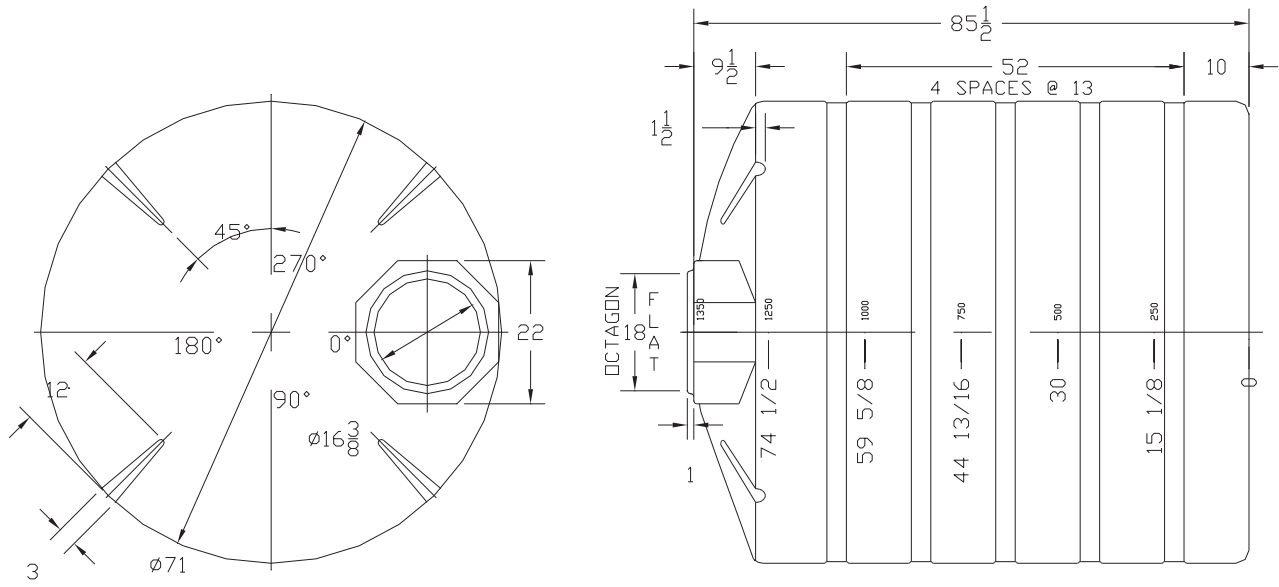
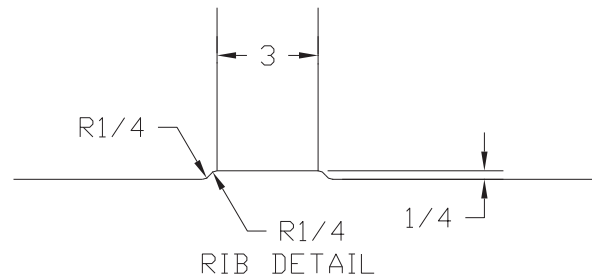




if it flows,
we go with it

1.800.665.4499
barrplastics.com

NORWESCO		REV
ST. BONIFACIUS, MN		
1350 USG (5110 LTRS)		
VERTICAL TANK		
205 WT LBS	Part No 40858	



ALL INFORMATION CONTAINED IN THIS DRAWING IS STRICTLY CONFIDENTIAL AND PROPERTY OF BARR PLASTICS INC. NO PART SHALL BE COPIED OR REPRODUCED WITHOUT THE WRITTEN CONSENT OF BARR PLASTICS INC.

Customer Drawing Approval

Customer _____

Barr Plastic Inc. _____



DATE: 22 SEP 05

PROJECT:
- TANK APPROVAL DWG

CLIENT:
-
DRAWING REF:

SCALE: - REV:

MATERIAL SPECIFICATIONS
HDPE 1.5 SPG
ALL FITTINGS ARE
POLYPROPYLENE WITH
EPDM GASKETS