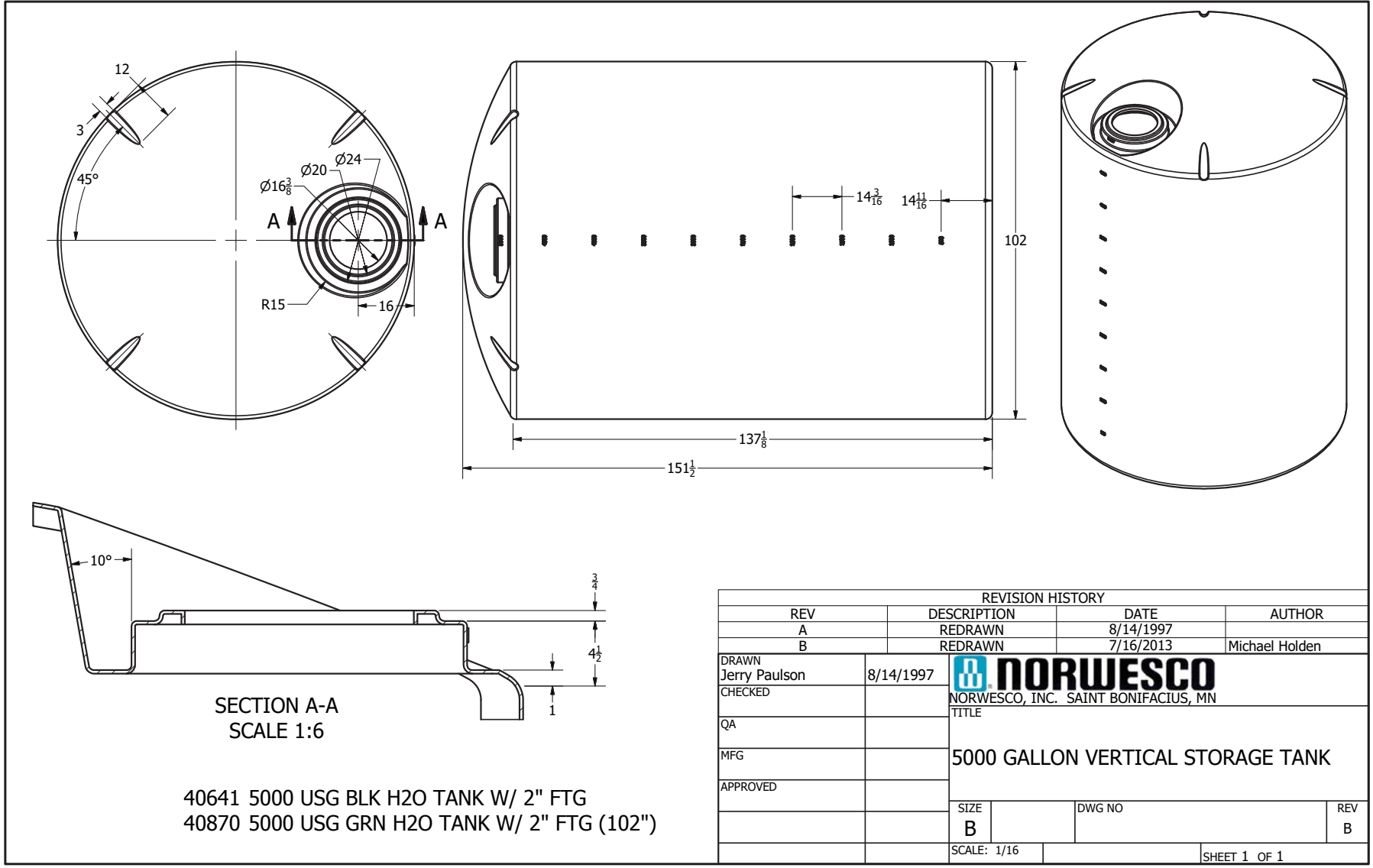




if it flows,  
we go with it

1.800.665.4499  
barrplastics.com



SECTION A-A  
SCALE 1:6

40641 5000 USG BLK H2O TANK W/ 2" FTG  
40870 5000 USG GRN H2O TANK W/ 2" FTG (102")

REVISION HISTORY			
REV	DESCRIPTION	DATE	AUTHOR
A	REDRAWN	8/14/1997	
B	REDRAWN	7/16/2013	Michael Holden
DRAWN Jerry Paulson		8/14/1997	 NORWESCO, INC. SAINT BONIFACIUS, MN
CHECKED			
QA			TITLE
MFG			5000 GALLON VERTICAL STORAGE TANK
APPROVED			
		SIZE B	DWG NO
			REV B
		SCALE: 1/16	SHEET 1 OF 1