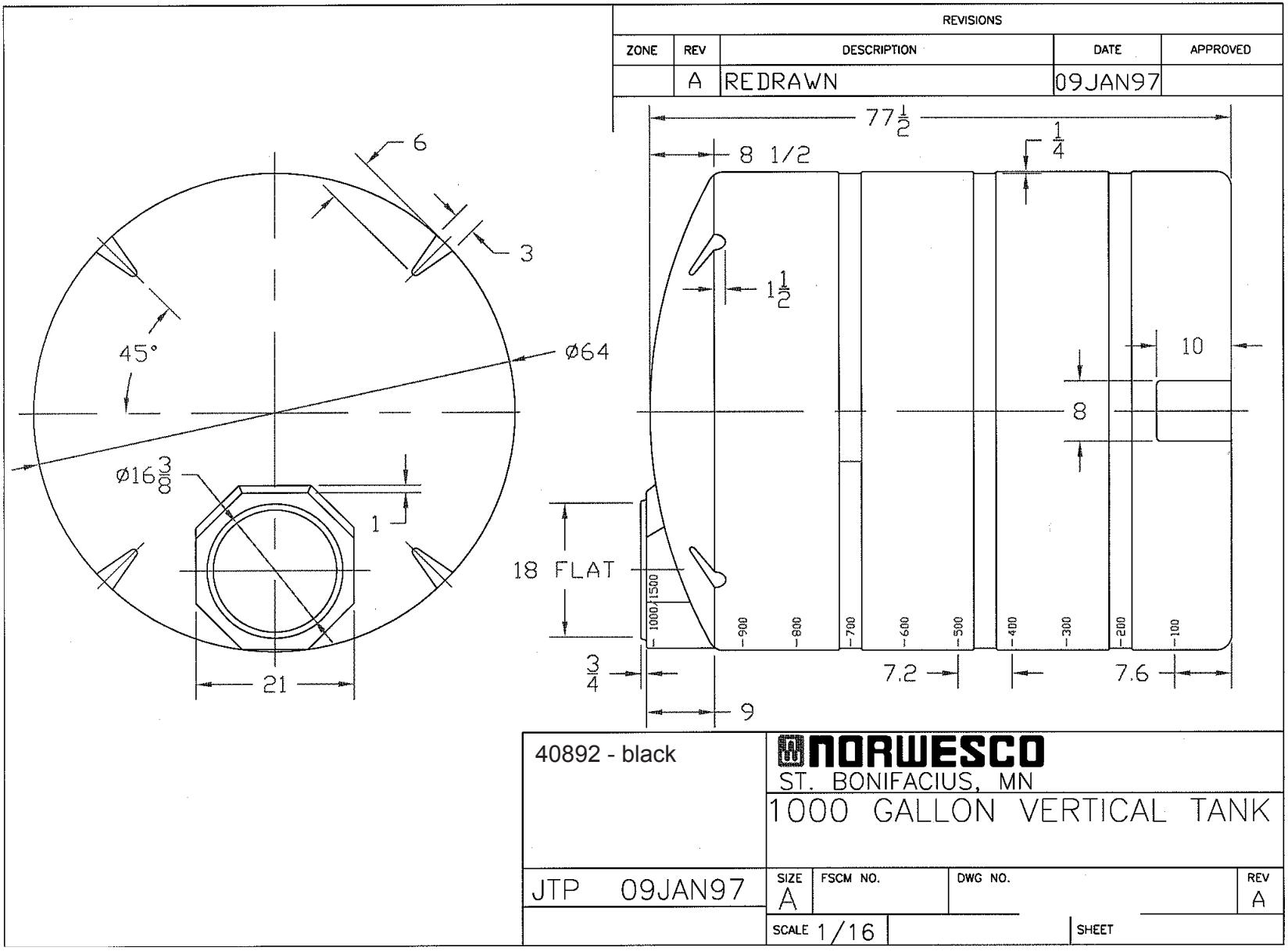




if it flows,
we go with it

1.800.665.4499
barrplastics.com



REVISIONS				
ZONE	REV	DESCRIPTION	DATE	APPROVED
	A	REDRAWN	09JAN97	

40892 - black
JTP 09JAN97

NORWESCO
ST. BONIFACIUS, MN
1000 GALLON VERTICAL TANK

SIZE A	FSCM NO.	DWG NO.	REV A
SCALE 1/16	SHEET		