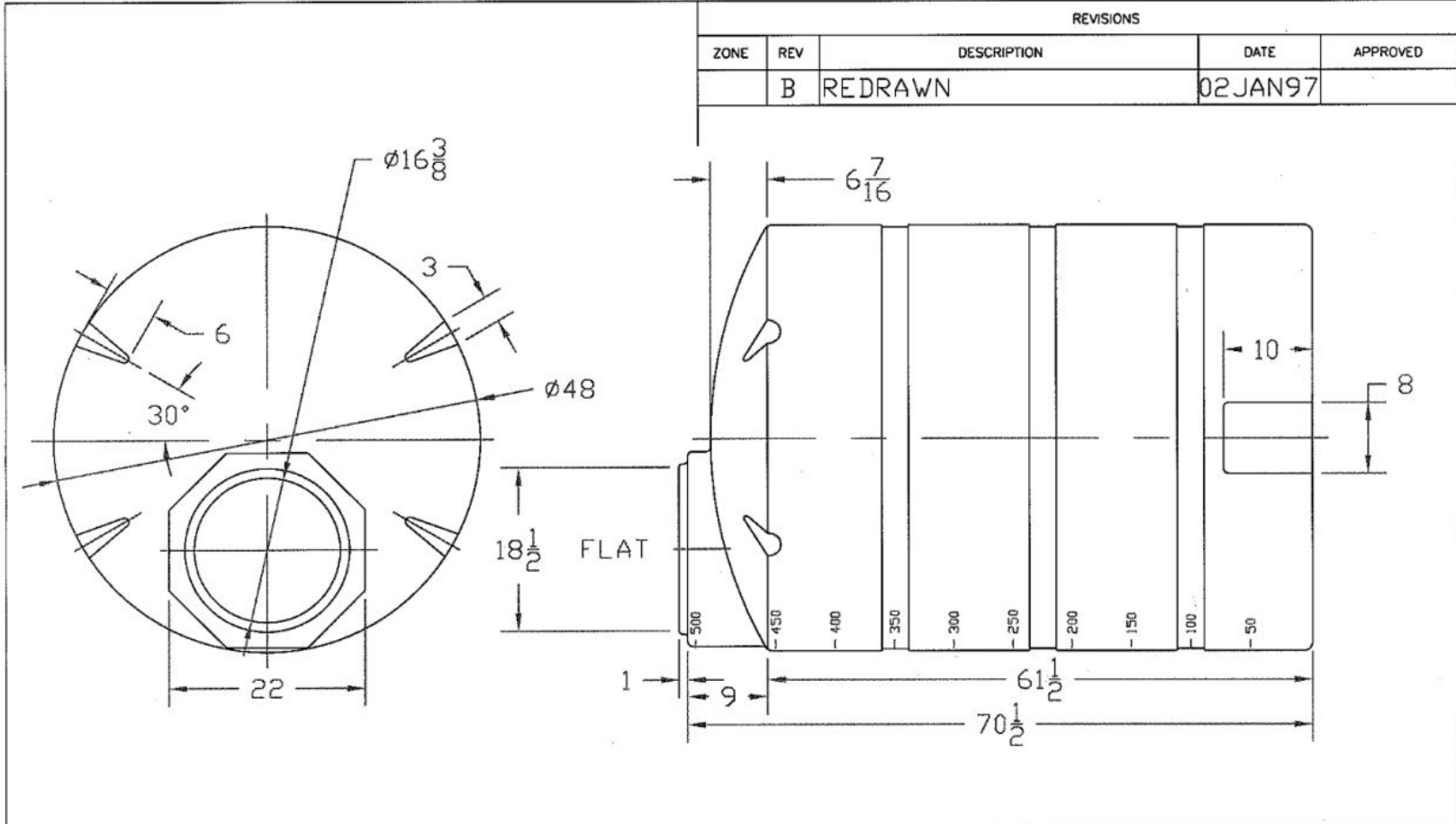




if it flows,
we go with it

1.800.665.4499
barrplastics.com



| REVISIONS | | | | |
|-----------|-----|-------------|---------|----------|
| ZONE | REV | DESCRIPTION | DATE | APPROVED |
| | B | REDRAWN | 02JAN97 | |

| | | | | | | |
|--|--|------------|-----------|----------|---------|----------|
| barrplastics.com 1-800-665-4499 | ST. BONIFACIUS, MN 500 GALLON VERTICAL TANK | | | | | |
| | JTP | 02JAN97 | SIZE A | FSCM NO. | DWG NO. | REV B |
| | | SCALE 1/16 | | SHEET | | |