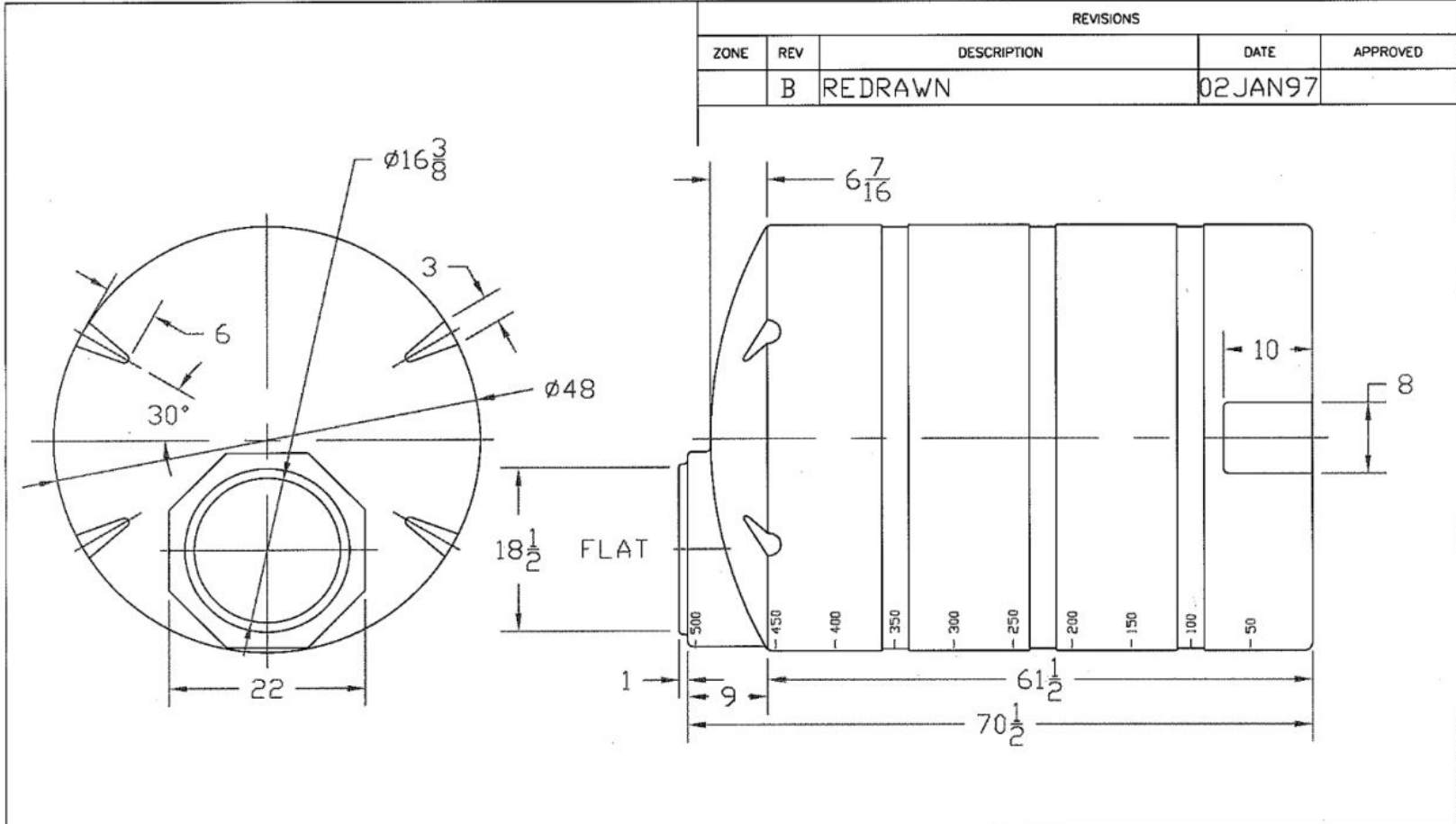




if it flows,
we go with it

1.800.665.4499
barrplastics.com



REVISIONS				
ZONE	REV	DESCRIPTION	DATE	APPROVED
	B	REDRAWN	02JAN97	

 barrplastics.com 1-800-665-4499	 ST. BONIFACIUS, MN				
	500 GALLON VERTICAL TANK				
JTP	02JAN97	SIZE A	FSCM NO.	DWG NO.	REV B
		SCALE 1/16			SHEET