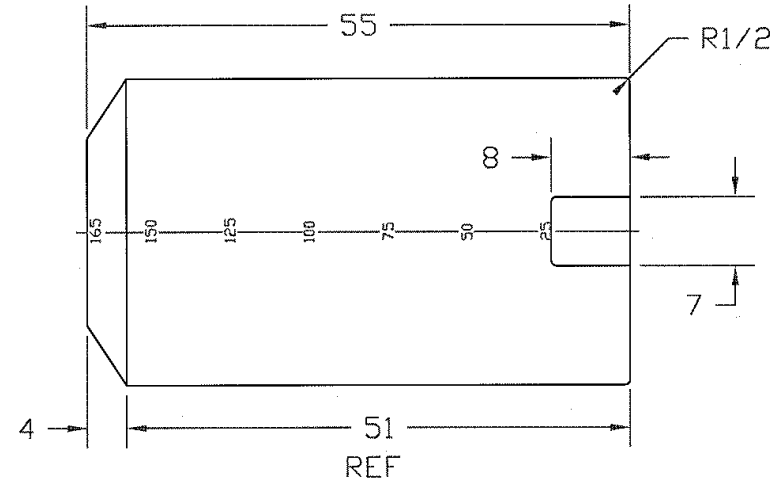
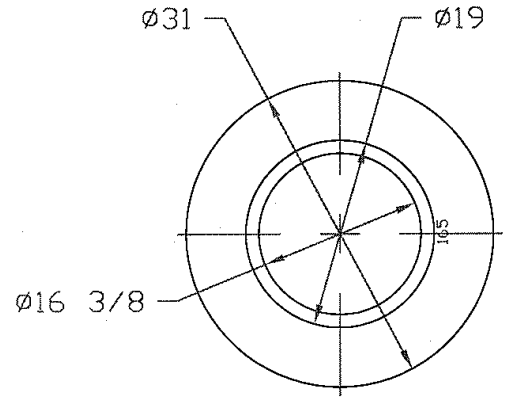




if it flows,  
we go with it

1.800.665.4499  
barrplastics.com

REVISIONS				
ZONE	REV	DESCRIPTION	DATE	APPROVED
	A	REDRAWN	02JAN96	



 barrplastics.com	 ST. BONIFACIUS, MN 165 GALLON VERTICAL TANK		
	JTP	02JAN97	REV A
SCALE 1/16		DWG NO.	SHEET