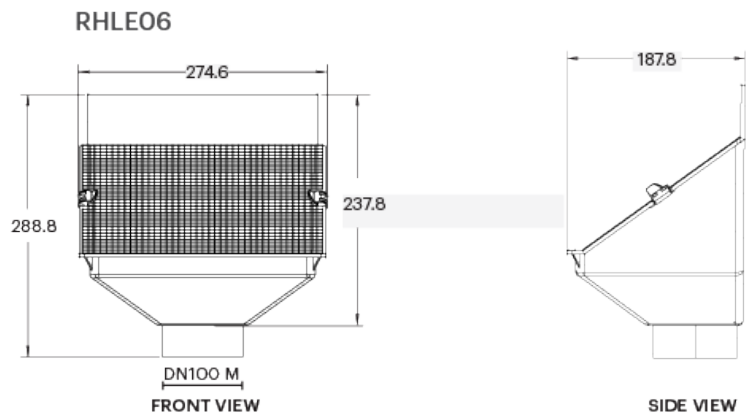
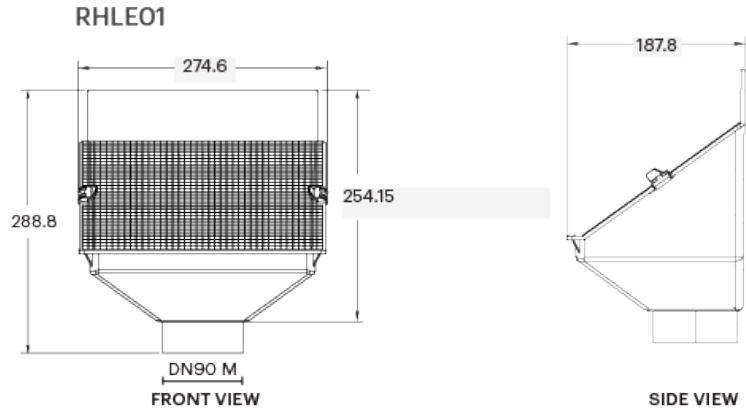




if it flows,  
we go with it

1.800.665.4499  
barrplastics.com



### Wall or Mid Mounting

