

Instruction for installation and maintenance GRAF MINIMAX-PRO Filter internal

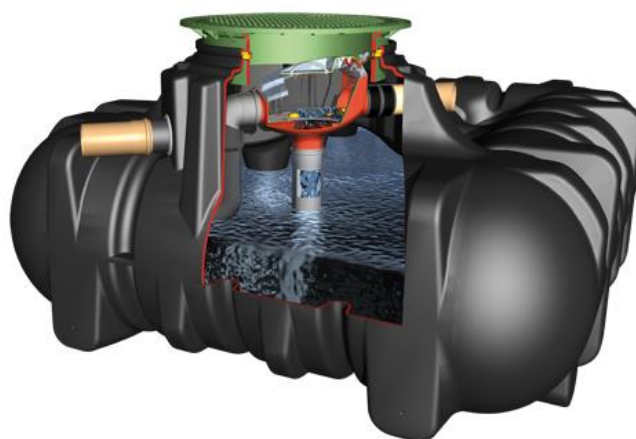
MINIMAX-PRO Filter internal

with curved / straight outlet

Order No. 340093

Platin Package 3
Order No. 342038

Carat Package
Order No. 340119



The points described in these instructions must be observed under all circumstances. All warranty rights are invalidated in the event of non-observance. Separate installation instructions are enclosed in the transportation packaging for all additional articles purchased from GRAF.

The components must be checked for any damage prior to installation under all circumstances.

Missing instructions can be downloaded on www.graf.info or can be requested from GRAF.

Table of contents

1.	General notes	13
1.1	Safety	13
2.	Installation conditions	13
2.1	MINIMAX-PRO Filter internal	13
3.	Technical data	14
3.1	Dimensions with curved outlet with curved outlet	
4.	Technical data	15
4.1	Dimensions straight outlet	15
5.	Assembly	16
5.	Installation and assembly	16
5.1	Overview Platin tank / Filter with curved outlet	16
5.2	Installation of inflow pipe and overflow siphon	17
5.3	Preparation filter for installation	17
5.4	Insert the filter into the tank	18
5.	Installation and assembly	18
5.5	Overview Carat tank / Filter with straight outlet	18
5.6	Installation of inflow pipe and overflow siphon	19
5.7	Preparation filter for installation	19
5.8	Insert the filter into the tank	20
6.	Accessory	18
7.	Maintenance	18

1. General notes

1.1 Safety

A second person is required for health & safety, in particular when entering the tank..

The relevant regulations and standards must additionally be taken into consideration during installation, assembly, servicing, repair, etc. Relevant notes can be found in the corresponding sections of these instructions.

During all work on the system or parts of the system, the entire system must always be rendered inoperable and secured to prevent unauthorised reactivation. The entire system must always be taken out of action & secured against being switched on again whilst work, repair or maintenance is carried out on parts of the system or the system.

Except when working in the tank; the tank cover must always be kept closed due to acute danger of accident.

GRAF offers an extensive range of genuine parts & accessories, all of which are designed to ensure the system performs as specified. The use of non-genuine Grafparts or accessories may lead to the system's functional capability or failure, therefore invalidating Warranties & Guarantees and liability for resulting damage.

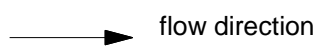
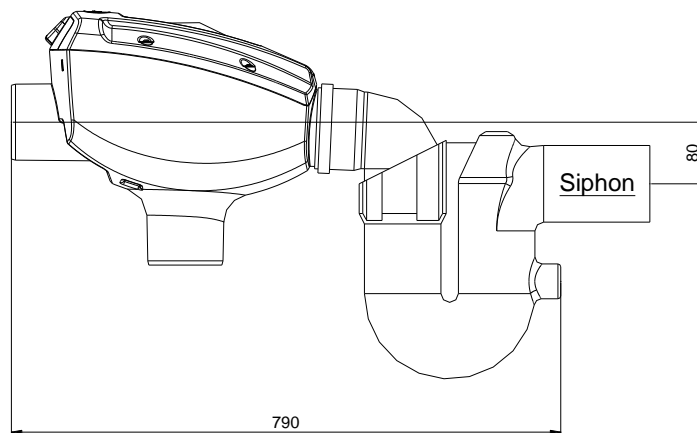
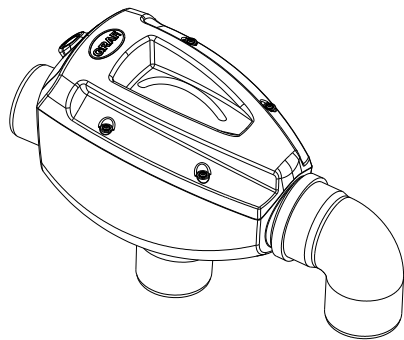
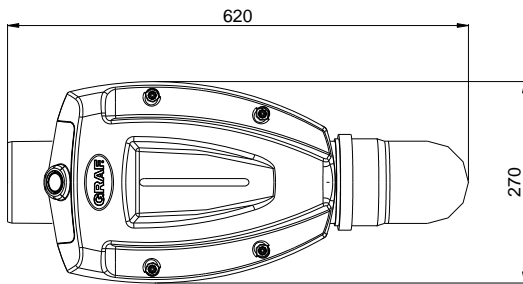
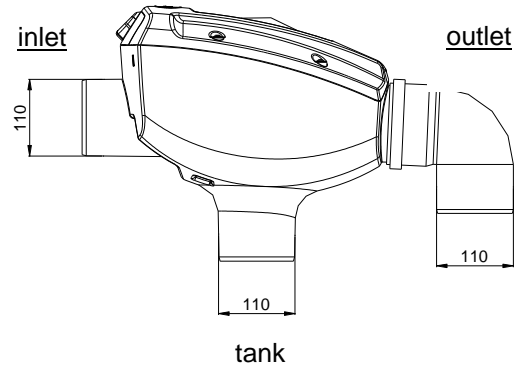
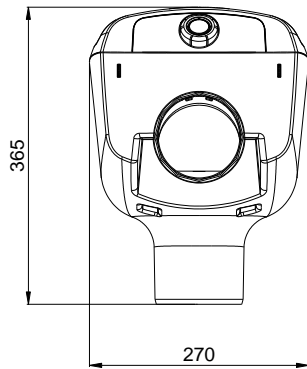
2. Installation conditions

2.1 MINIMAX-PRO Filter internal

- The MINIMAX-PRO Filter is suitable for installation in a manhole or a underground tank.
- The difference in height between inlet and outlet is around 10 mm with a straight outlet and 80 mm with a curved outlet.
- The filter is suitable for roof areas up to 350 m².
- The mesh width of the sieve insert is 0.35 mm.

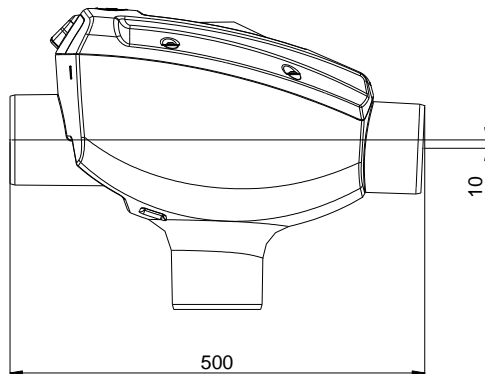
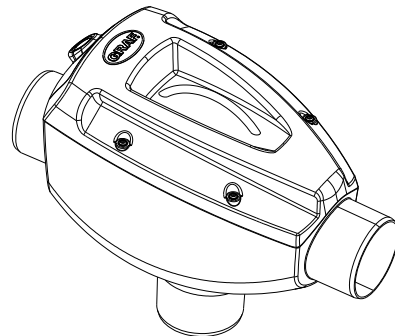
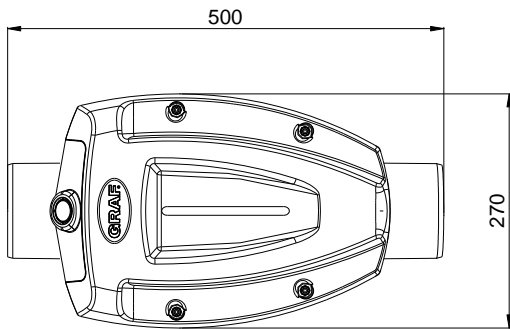
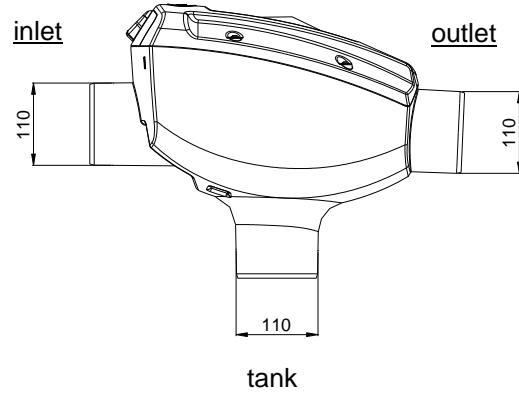
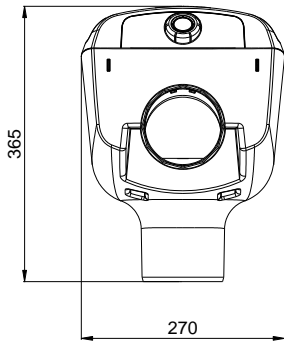
3. Technical data

3.1 Dimensions with curved outlet



3. Technical data

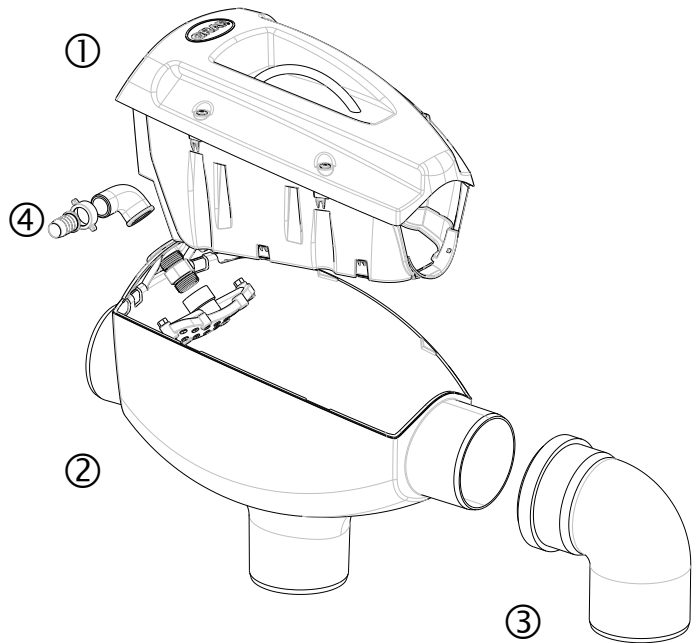
3.2 Dimensions with straight outlet



→ Flow direction

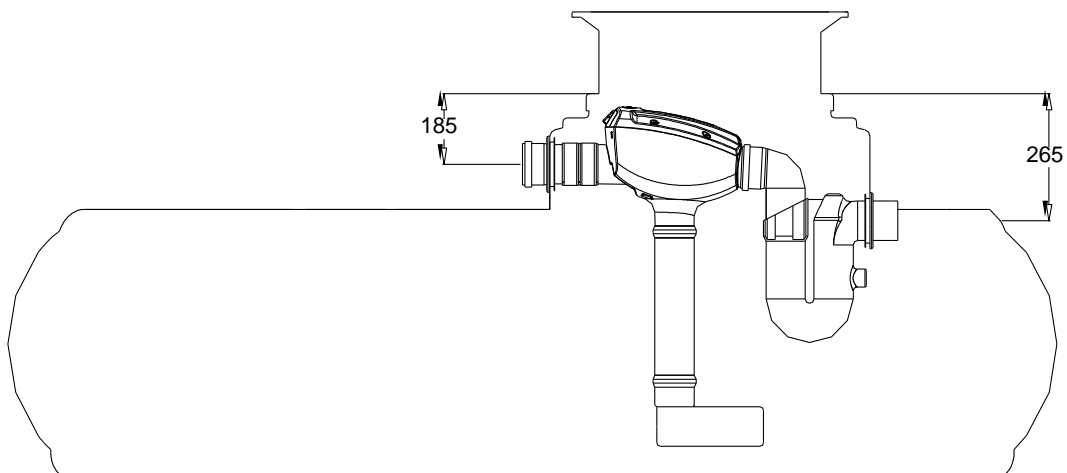
4. Assembly

- ① Clear transparent cover/
Filter insert
- ② Housing including nozzle holder
- ③ Outlet bend 87°
- ④ Optional cleaning unit
(340040)



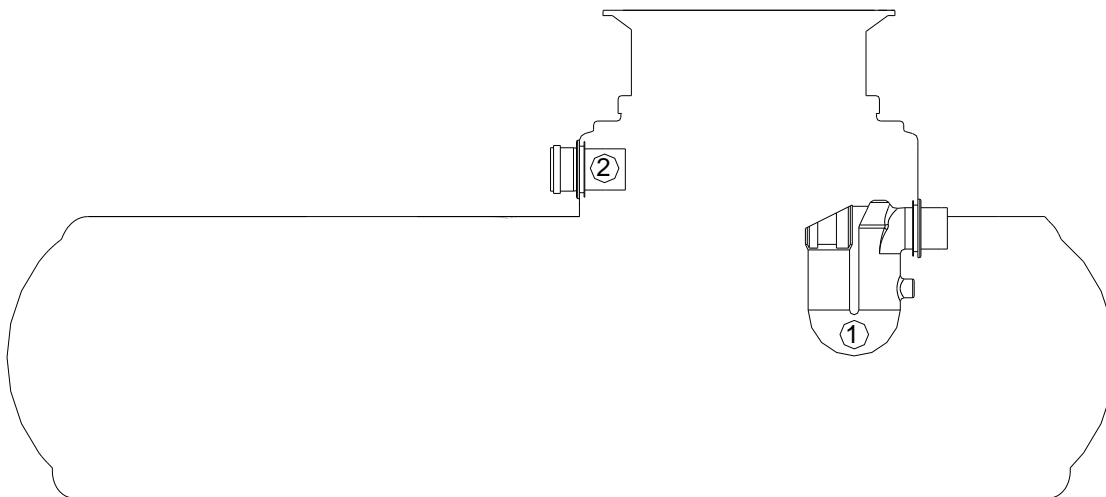
5. Installation and assembly

5.1 Overview Platin tank / Filter with curved outlet



5. Installation and assembly

5.2 Installation of inflow pipe and overflow siphon



- ① Insert the overflow siphon in the lower seal till block.
- ② Insert the inflow pipe DN100 from outside.

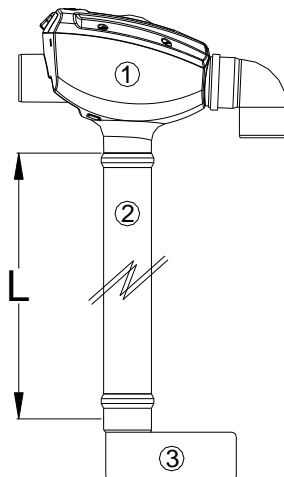
5.3 Preparation filter for installation

Connect the filter body ① with a PVC pipe DN 100 ② (on site) with the inflow Calming Foot ③ (contained in filter package 342038).

Secure or connections with Self Tapping screws to prevent connections separating.

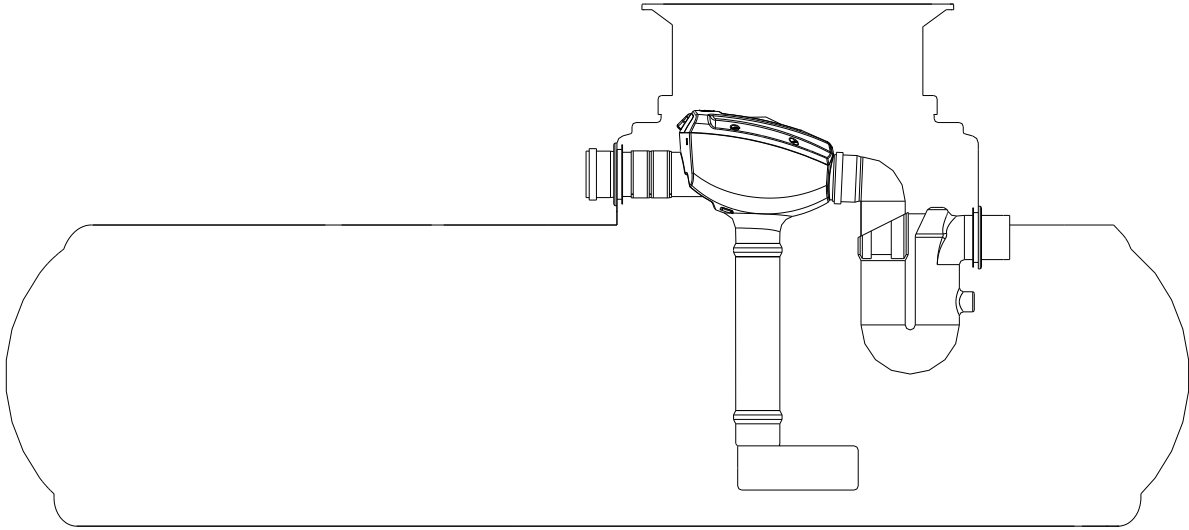
Platin tank	1500 L	3000 L	5000 L	7500 L
[L]	470 mm*	500 mm*	675 mm*	1075 mm*

* (+/- 10 mm)



5. Installation and assembly

5.4 Insert the filter into the tank

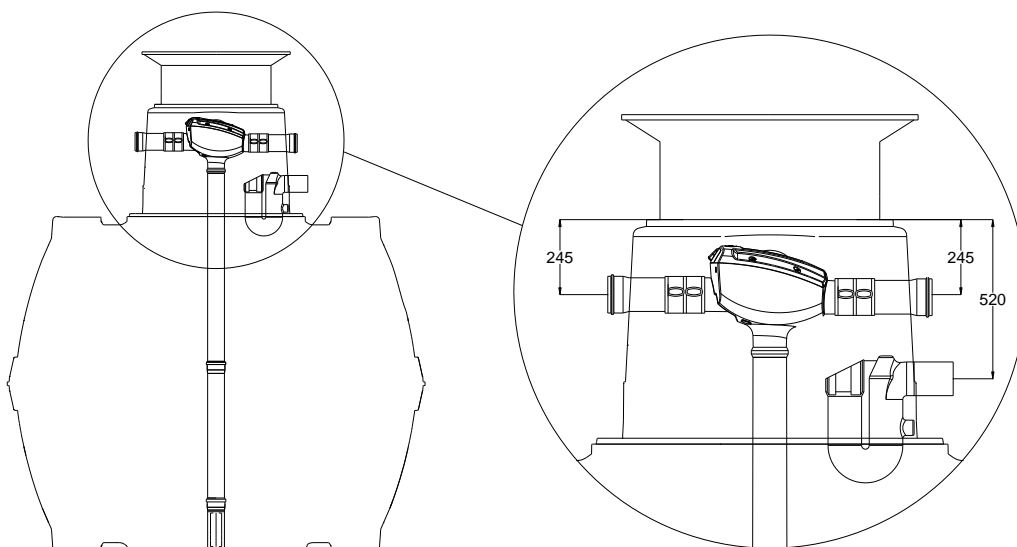


Insert the filter, prepared with the inflow Calming foot, in the tank.

Slide the outlet bend of the filter into the overflow siphon from above, align the supply pipe flush with the filter and then fix with the quick-connection sleeve (included in filter package 342038).

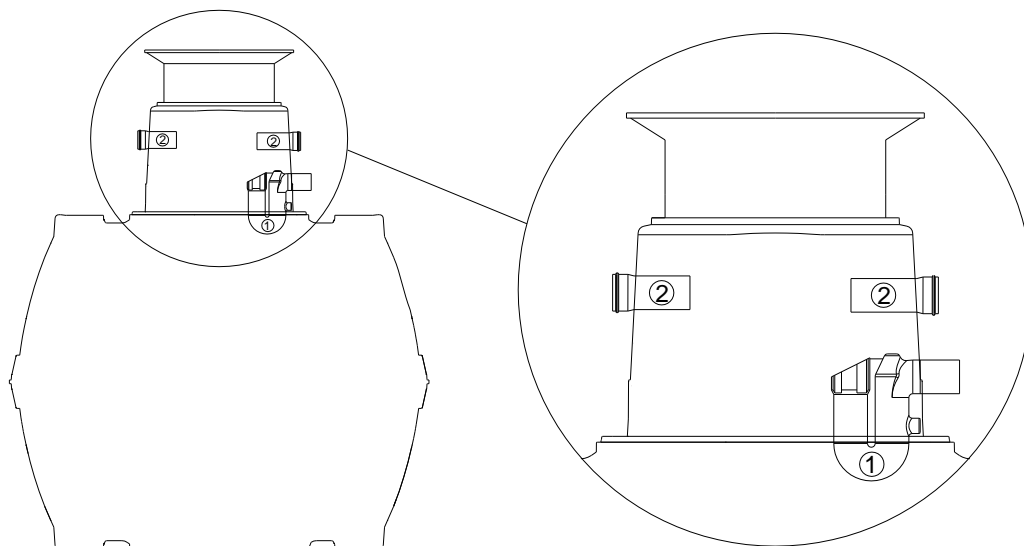
5. Installation and assembly

5.5 Overview of Carat tank / filter with straight outlet



5. Installation and assembly

5.6 Installation of inflow pipe and overflow siphon



- ① Insert the overflow siphon in the lower seal till block.
- ② Insert the inflow pipe DN100 from outside.

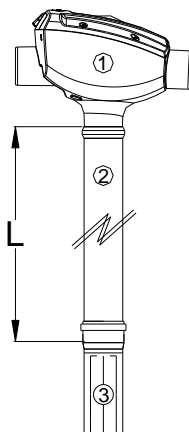
5.7 Preparation filter for installation

Connect the filter body ① with a PVC pipe DN 100 ② (on site) with the inflow Calming Foot ③ (contained in filter package 340119).

Fix all junctions with screws (against shift of pipes).

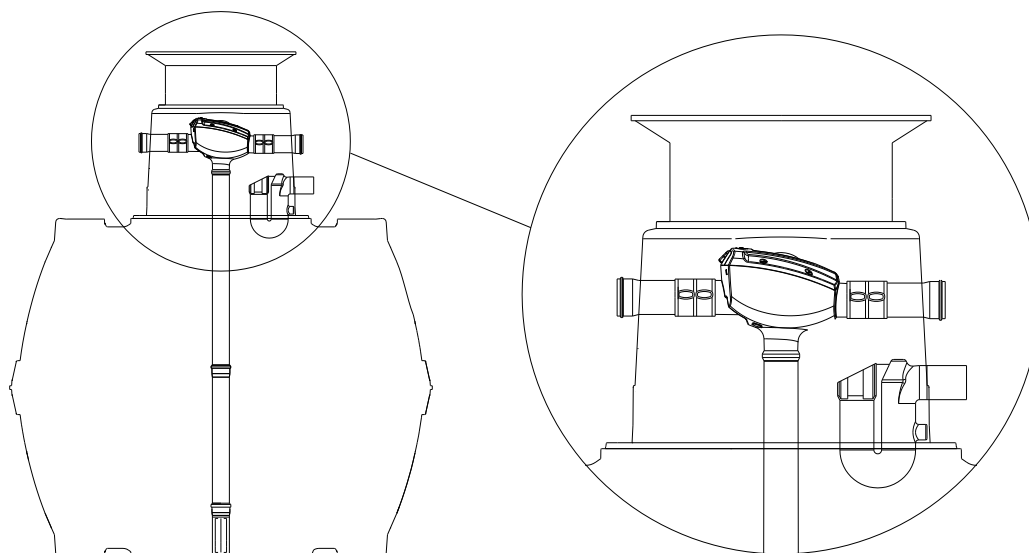
Carat tank	2700 L	3750 L	4800 L	6500 L	8500L	10000 L
[L]	1190 mm*	1380 mm*	1610 mm*	1890 mm*	1790 mm*	1990 mm*

* (+/- 10 mm)



5. Installation and assembly

5.8 Insert the filter into the tank



Insert the filter, prepared with the inflow Calming Foot, in the tank.

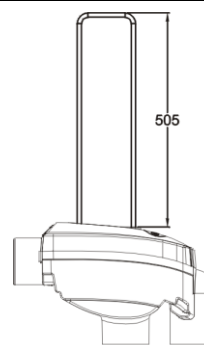
Align the supply and drain pipes flush with the filter and then fix with the two quick-connection sleeves (included in filter package 340119).

Rodent guards should never be installed in the Filter outlet as this could cause dirt to enter the drain and block the pipe.

6. Accessory

Handle Plus for MINIMAX – PRO Filter

Order No. 330220



7. Maintenance

Depending on the dirtiness of the roof surface water the sieve has to be cleaned several times a year. Remove the transparent cover from the filter body. The sieve and the cover is one unit. Removing and cleaning is unproblematic.

