

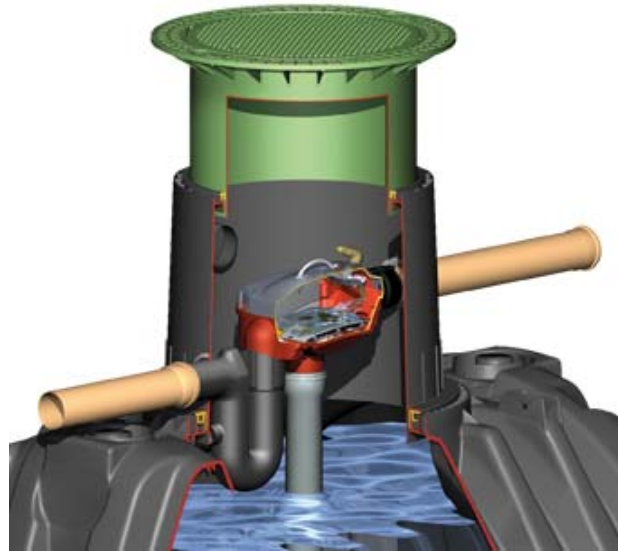
Instruction for installation and maintenance GRAF Optimax-Pro Filter internal

**Optimax-Pro Filter internal DN100
Order No. 340037**

**Carat Filter Package 3 –
Optimax-Pro Filter internal DN100
Order No. 342005**

**Optimax XL Filter internal DN150
Order No. 340108**

**Carat XL/XXL Filter Package 3 –
Optimax XL Filter internal DN150
Order No. 342042**



The points described in these instructions must be observed under all circumstances. All warranty rights are invalidated in the event of non-observance. Separate installation instructions are enclosed in the transportation packaging for all additional articles purchased from GRAF.

The components must be checked for any damage prior to installation under all circumstances.

Missing instructions can be downloaded on www.graf.info or can be requested from GRAF.

Table of contents

1. GENERAL NOTES	10
1.1 Safety	10
2. INSTALLATION CONDITIONS	10
2.1 Optimax-Pro Filter internal - Connection DN 100	10
2.2 Optimax XL Filter internal - Connection DN 150	10
3. TECHNICAL DATA	11
3.1 Optimax-Pro Filter internal (DN 100)	11
3. TECHNICAL DATA	12
3.2 Optimax XL Filter internal (DN 150)	12
4. ASSEMBLY	13
4.1 Optimax-Pro Filter internal (DN 100)	13
4.2 Optimax XL Filter internal (DN 150)	13
5. INSTALLATION AND ASSEMBLY	14
5.1 Overview	14
5.2 Installation of inflow pipe and overflow siphon	15
5.3 Preparation filter for installation	15
5.4 Insert the filter into the tank	16

1. General notes

1.1 Safety

The relevant accident prevention regulations according to BGV C22 must be observed during all work. Particularly when walking on the tanks, a 2nd person is required to secure the tank.

The relevant regulations and standards must additionally be taken into consideration during installation, assembly, servicing, repair, etc. Relevant notes can be found in the corresponding sections of these instructions.

During all work on the system or parts of the system, the entire system must always be rendered inoperable and secured to prevent unauthorised reactivation.

GRAF offers an extensive range of accessories, all of which are designed to match each other and which can be extended to form complete systems. The use of other accessories may lead to impediments to the system's functional capability, therefore invalidating liability for resulting damage.

2. Installation conditions

2.1 Optimax-Pro Filter internal - Connection DN 100

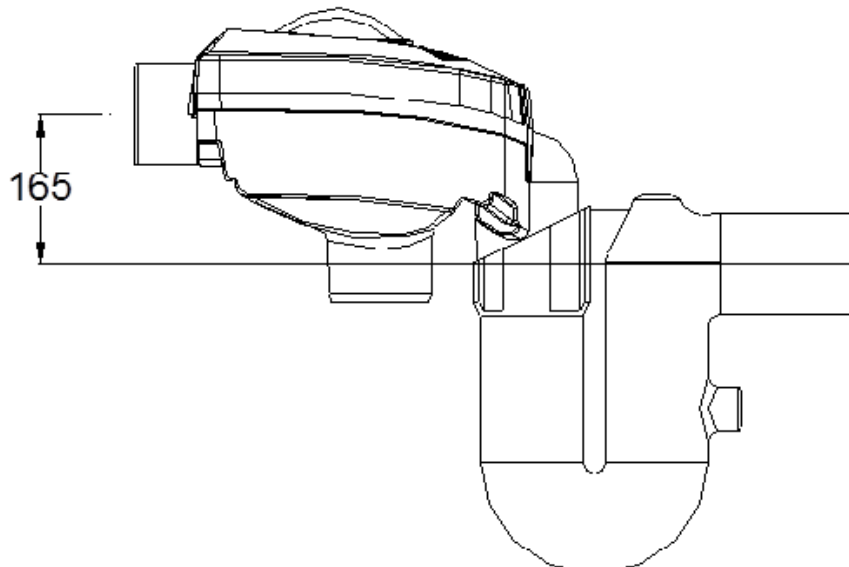
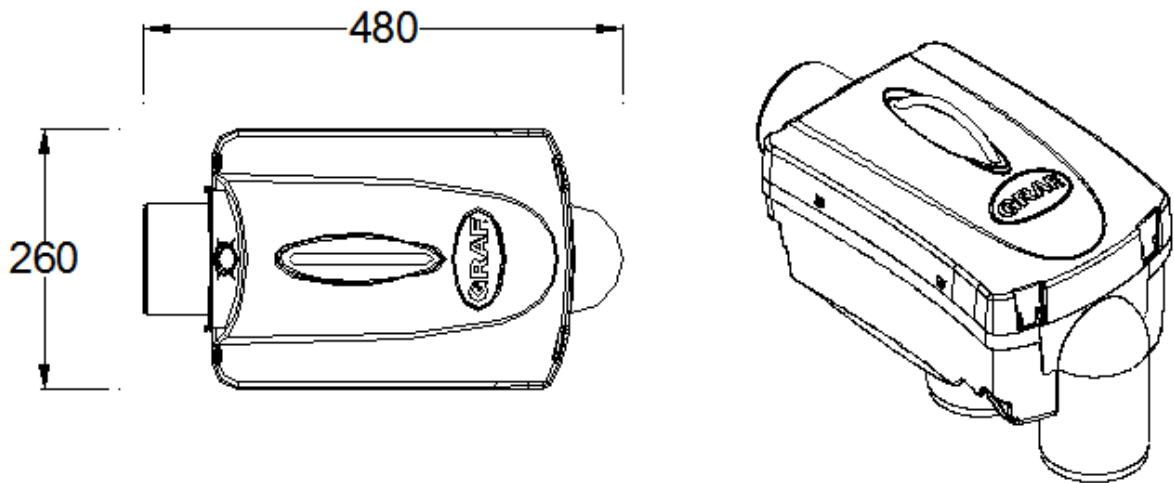
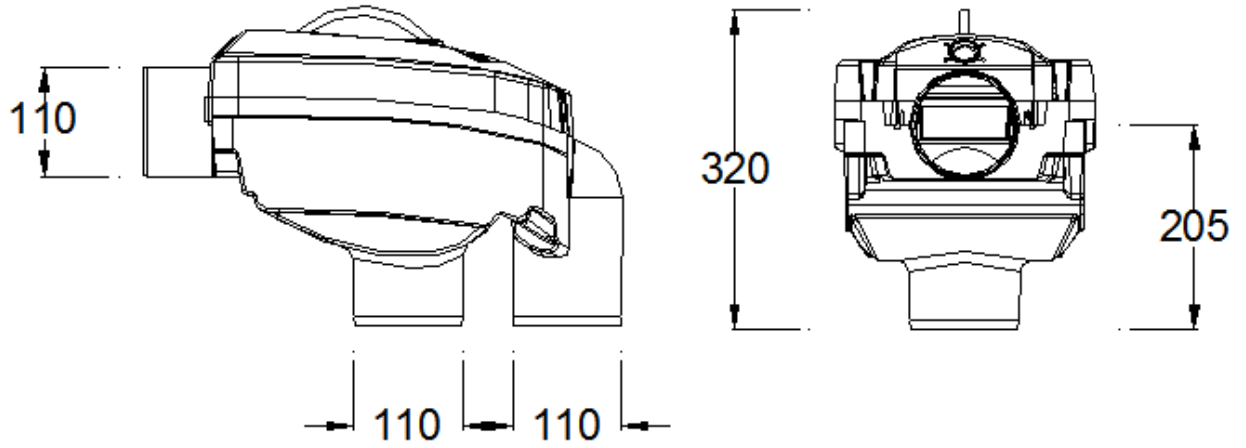
- The Optimax-Pro Filter internal is suitable for installation in a manhole or a underground tank.
- The difference of level between inflow and outflow is 165 mm.
- The filter is suitable for roof areas up to 350 m².
- The mesh width of the sieve insert is 0.35 mm.

2.2 Optimax XL Filter internal - Connection DN 150

- The Optimax XL Filter internal is suitable for installation in a manhole or a underground tank.
- The difference of level between inflow and outflow is 165 mm.
- The filter is suitable for roof areas up to 750 m².
- The mesh width of the sieve insert is 0.35 mm.

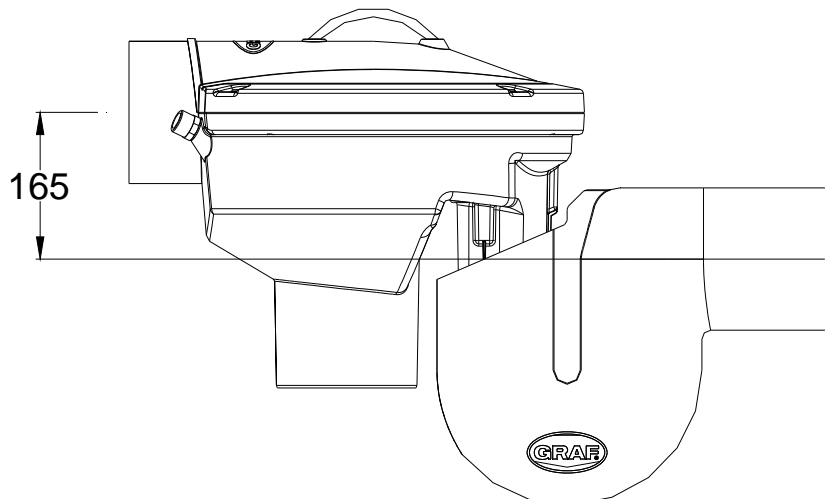
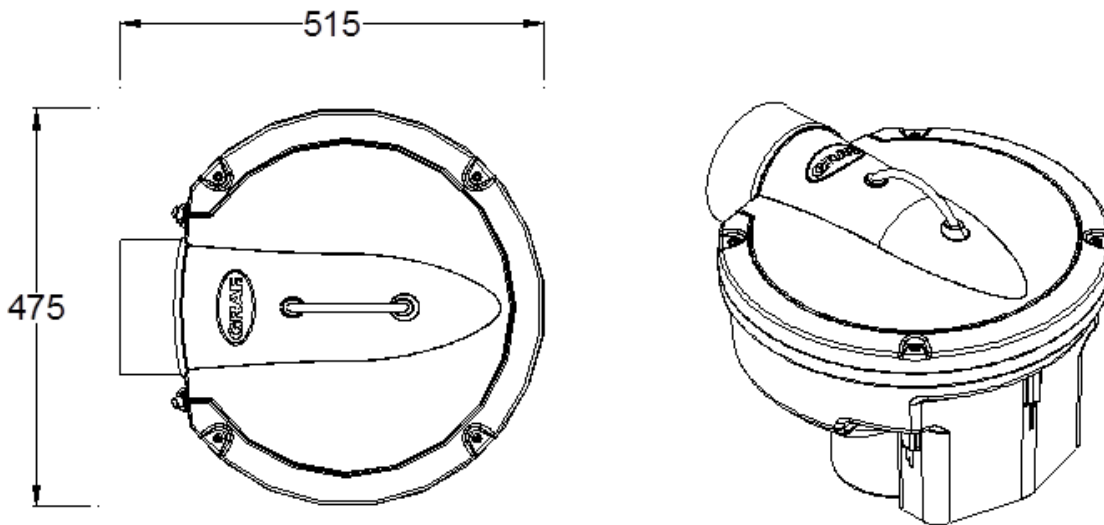
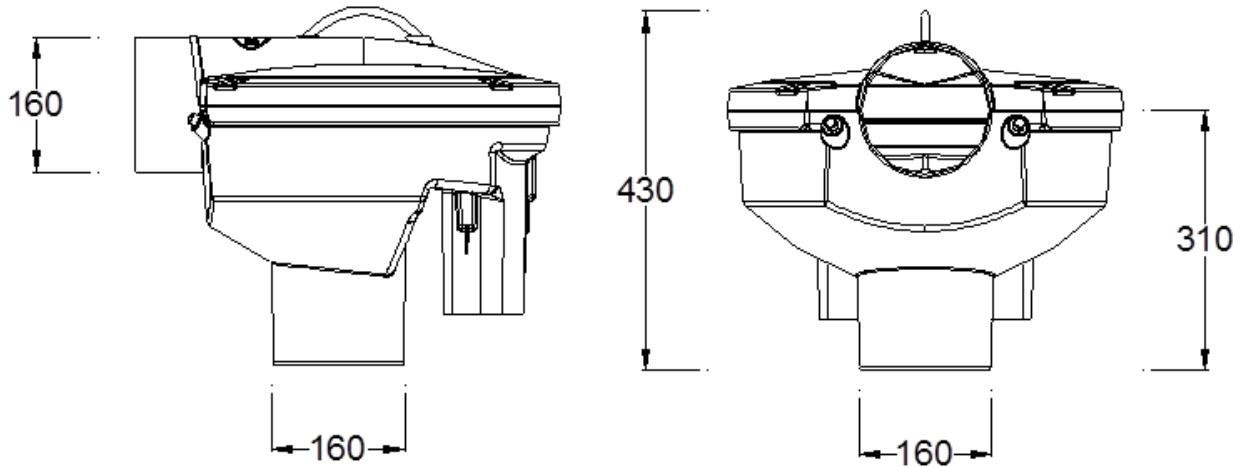
3. Technical data

3.1 Optimax-Pro Filter internal (DN 100)



3. Technical data

3.2 Optimax XL Filter internal (DN 150)

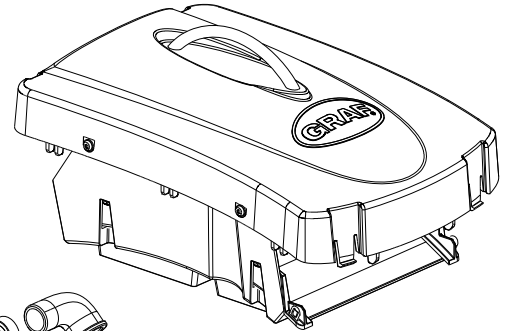


4. Assembly

4.1 Optimax-Pro Filter internal (DN 100)

① Clear transparent cover/ filter inset

①



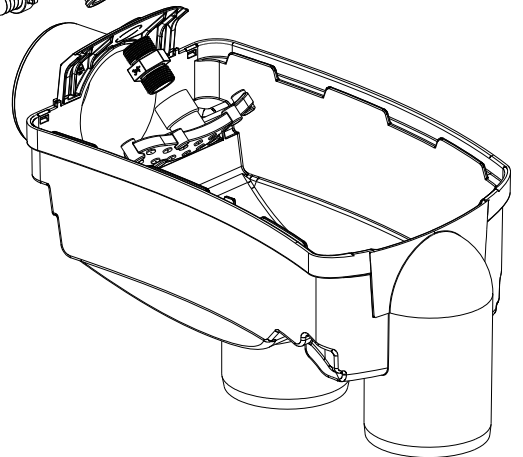
② Filter body including nozzle holder

③



③ Support for Opticlean (340040)

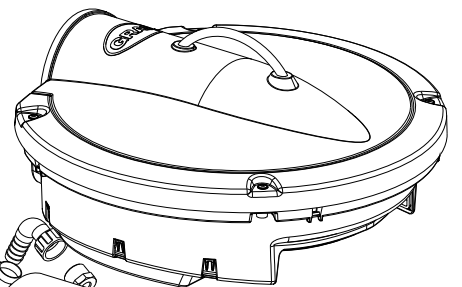
②



4.2 Optimax XL Filter internal (DN 150)

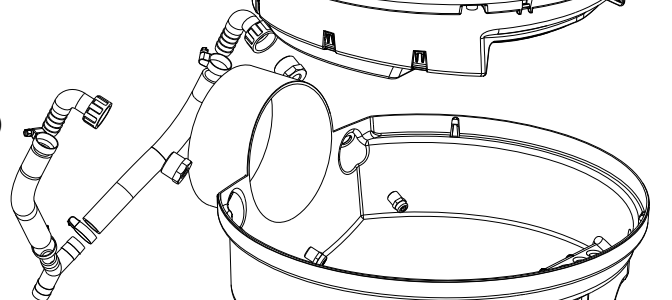
① Clear transparent cover/ filter inset

①



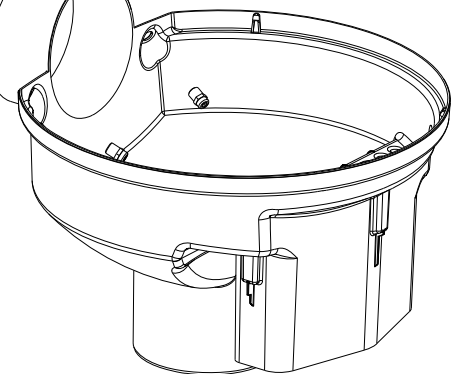
② Filter body

③



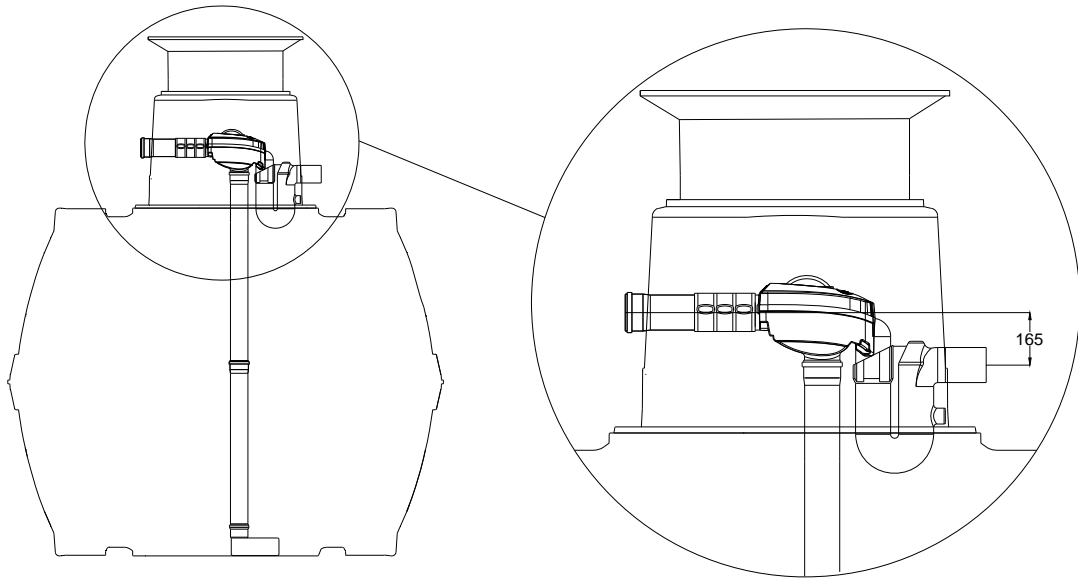
③ Support for Opticlean XL (340117)

②



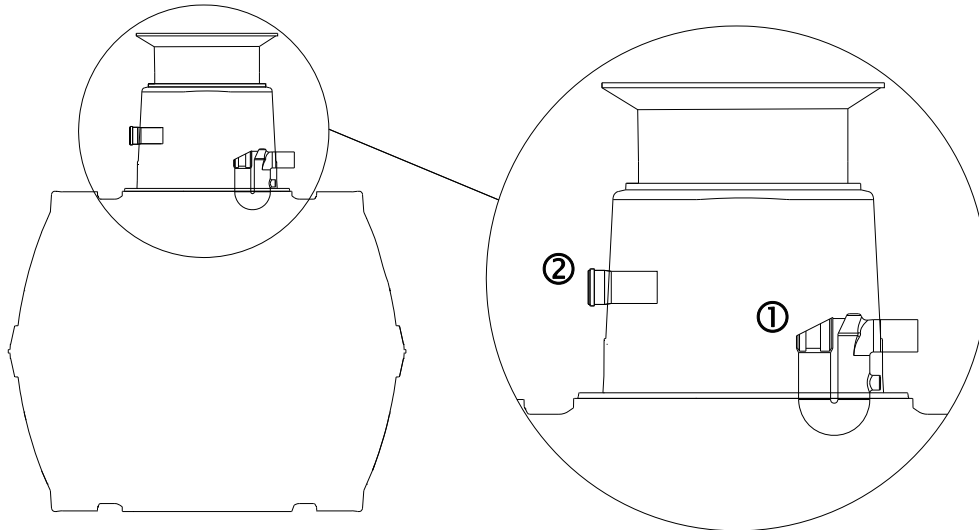
5. Installation and assembly

5.1 Overview



5. Installation and assembly

5.2 Installation of inflow pipe and overflow siphon



- ① Insert the overflow siphon in the lower seal till block.
- ② Insert the inflow pipe from outside.

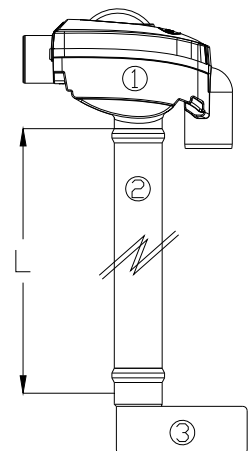
5.3 Preparation filter for installation

Connect the filter body ① with a PVC pipe DN 100/150 ② (on site) with the inflow pot (calmed down) ③ (contained in filter package 3).

Fix all junctions with screws (against shift of pipes).

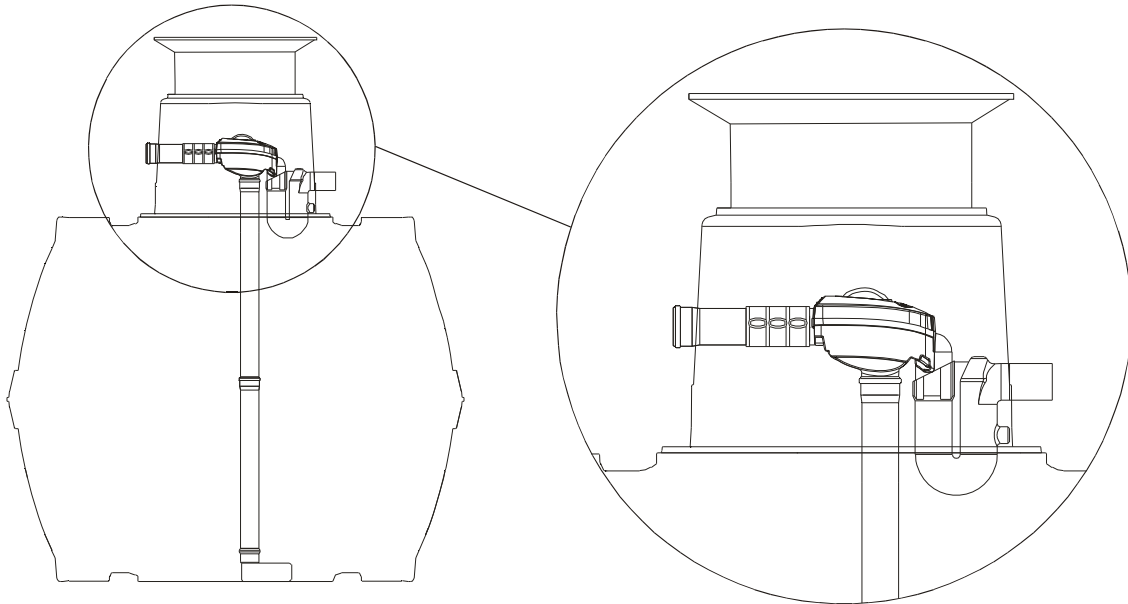
Carat volume (liter)	Optimax-Pro Filter internal Connection DN 100*	Optimax XL Filter internal Connection DN 150*
2.700	1320 mm	1275 mm
3.750	1500 mm	1455 mm
4.800	1730 mm	1685 mm
6.500	2020 mm	1975 mm
8.500	2003 mm	1958 mm
10.000	2203 mm	2158 mm
from 16.000	2463 mm	2418 mm

* (+ / - 10 mm)



5. Installation and assembly

5.4 Insert the filter into the tank



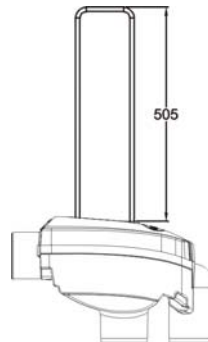
Insert the filter, prepared with the inflow pot (calmed down), in the tank.

Telescope the overflow from top into the siphon and fix the filter inflow with the spannfix collar (contained in filter package 3).

6. Accessory

Handle Plus for Optimax – Pro Filter

Order No. 330220



7. Maintenance

Depending on the dirtiness of the roof surface water the sieve has to be cleaned several times a year. Remove the transparent cover from the filter body. The sieve and the cover is one unit. Removing and cleaning is unproblematic.