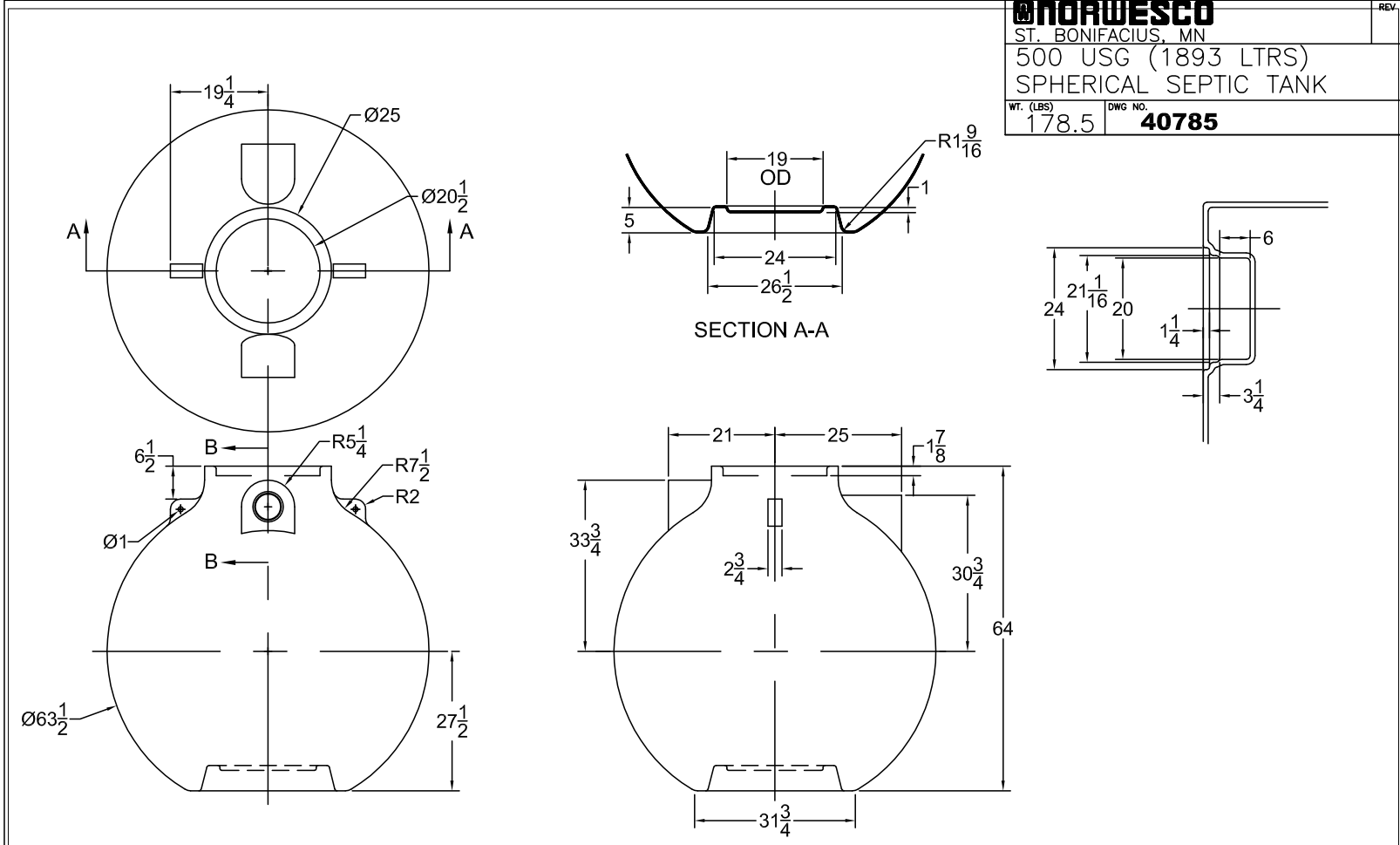




if it flows,  
we go with it

1.800.665.4499  
barrplastics.com



<b>NORWESCO</b>		REV
ST. BONIFACIUS, MN		
500 USG (1893 LTRS)		
SPHERICAL SEPTIC TANK		
WT. (LBS)	DWG NO.	
178.5	<b>40785</b>	

ALL INFORMATION CONTAINED IN THIS DRAWING IS STRICTLY CONFIDENTIAL AND PROPERTY OF BARR PLASTICS INC. NO PART SHALL BE COPIED OR REPRODUCED WITHOUT THE WRITTEN CONSENT OF BARR PLASTICS INC.		
<b>Customer Drawing Approval</b>  Customer _____  Barr Plastic Inc. _____	 <b>Plastics Inc.</b>	PROJECT: - TANK APPROVAL DWG.
		MATERIAL SPECIFICATIONS HDPE 1.5 SPG ALL FITTINGS ARE POLYPROPYLENE WITH EPDM GASKETS
	DATE: 30 SEP 05	CLIENT: - DRAWING REF: - SCALE: - REV: -

This document contains proprietary information. It is intended solely for use of potential clients involved or to be involved in a transaction with BARR Plastics Inc.

© 2019 BARR PLASTICS INC