



celebrating
50 years

1.800.665.4499
barrplastics.com

Sizing Forms for Wastewater Treatment Systems

Contact

name _____
phone / fax _____
street _____
postal code / city _____

country _____
email _____
project _____
date _____

Requested GRAF product (check one):

KLARO - up to 27,000 LPD

One2Clean - up to 2,700 LPD

Wastewater Characteristic

Water quantity: _____ m³/d
BOD5 load: _____ mg/l
COD load: _____ mg/l

Completed Forms

Mail to: info@barrplastics.com

Fax to: 604.852.8022

Treatment Quality, Required Discharge Values

BOD5	_____ mg/l	_____ %
COD	_____ mg/l	_____ %
NH4-N	_____ mg/l	_____ %
N _{tot}	_____ mg/l	_____ %
Phosphate	_____ mg/l	_____ %
UV disinfection needed	<input type="checkbox"/> Yes	<input type="checkbox"/> No



Continued

1. Retrofitting Parameters to adjust an existing tank

1.1 Pipe connection

Existing In-/Outlet diameter _____ / _____

1.2 Reservoir

No. of reservoirs: _____

Age (years): _____

Material (concrete/plastic): _____

Round reservoir

∅ _____ m

water level: _____ m

baffle height: _____ m

baffle thickness: _____ cm

Rectangular reservoir

Length: _____ m

Width: _____ m

Water level: _____ m

baffle height: _____ cm

baffle thickness: _____ cm

Reservoir separation

not divided

2-chamber

3-chamber

4-chamber

2. Specifics on Site

2.1 Tank cover

pedestrian loading

vehicle loading

truck loading

2.2 Infiltration

Yes

No

2.3 Available area for the treatment plant (optional infiltration)

x

length (m)width (m)

2.4 Cabinet type

internal cabinet external cabinet

distance between cabinet & WWTP: _____ m

+D for denitrification

+K convenience package with underload
recognition

+R remote transmission (GSM-modem)

2.5 Climate

hottest temperature: _____ °C / _____ F

coldest temperature: _____ °C / _____ F



Continued

3. Sizing parameter for wastewater treatment plant

3.1 Residential Objects

max: _____ inhabitants

∅

_____ inhabitants

3.2 Gastronomical Objects

accomodation: _____ # of beds

camping site: _____ # of pitches

or _____ # of persons ∅/max

restaurants: _____ # of seats¹

club house: _____ # of seats¹

sports fields: _____ visitor

existing kitchen: _____ Yes No

oil & grease separator: _____ existing needed

3.2 Industrial Objects

office building: _____ employees

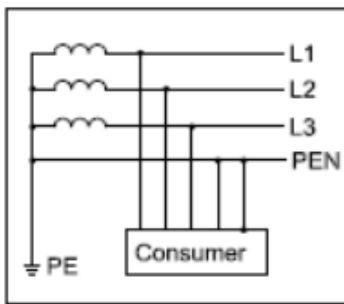
factory: _____ employees

¹ frequency: weak (every seat in use 1 time/day), middle (2-3 times/day) and strong (4-6 times/day)

4. Notes

Continued

Please state available low voltage connection type to configure the electricity and control cabinet for your chosen type of electricity supply. For domestic dimensions, please fill in the bold information. In case of bigger dimensions, please fill in all info for your chosen type of electricity supply.

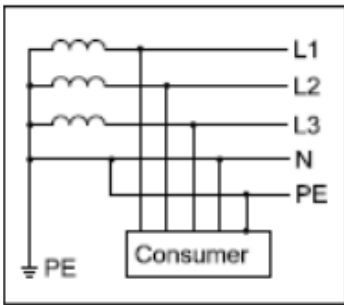


TN-C System Current

L1 - L2: _____ V
Same for L1 - L3 and L2 - L3

L1 - PEN: _____ V

Frequency: _____ Hz

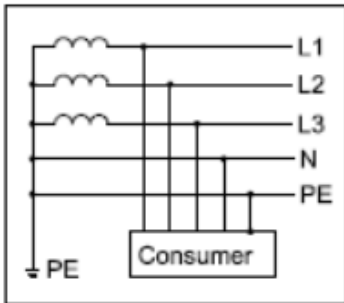


TN-C-S System Current

L1 - L2: _____ V
Same for L1 - L3 and L2 - L3

L1 - PEN: _____ V

Frequency: _____ Hz

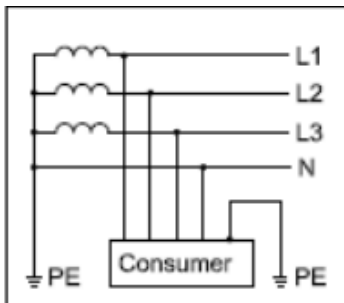


TN-S System Current

L1 - L2: _____ V
Same for L1 - L3 and L2 - L3

L1 - PEN: _____ V

Frequency: _____ Hz



TT System Current

L1 - L2: _____ V
Same for L1 - L3 and L2 - L3

L1 - PEN: _____ V

Frequency: _____ Hz