

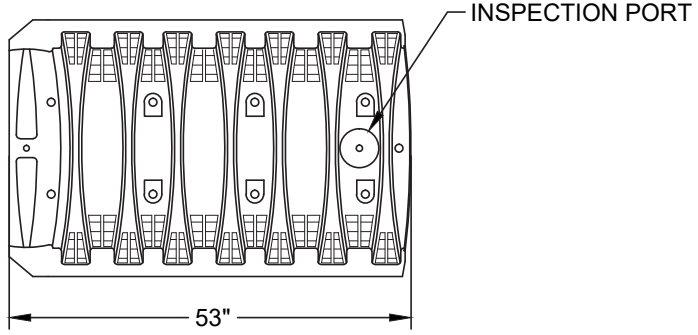


if it flows,
we go with it

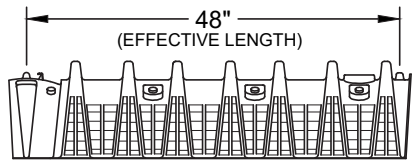
1.800.665.4499
barrplastics.com

INFILTRATOR WATER TECHNOLOGIES
QUICK4 STANDARD CHAMBER
PRODUCT SPECIFICATIONS
(NOT TO SCALE)

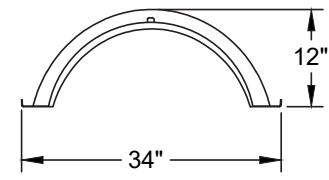
TOP VIEW



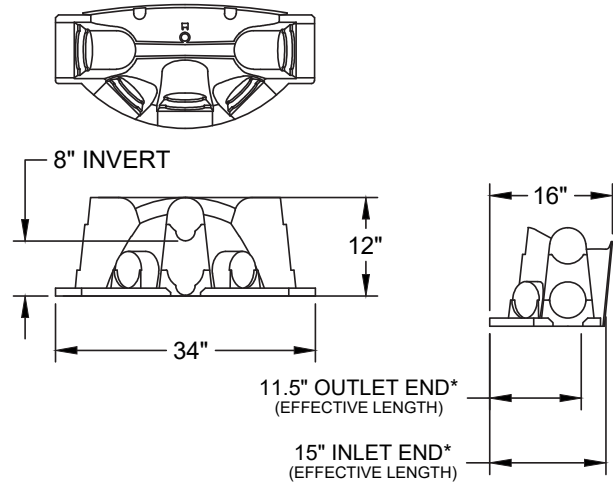
SIDE VIEW



END VIEW



QUICK4 STANDARD MULTIPORT END CAP



* ALL VIEWS = INSTALLED LENGTH.

		1.800.665.4499 barrplastics.com
BARR Plastics Inc		1.800.665.4499 info@barrplastics.com
QUICK4 STANDARD CHAMBER PRODUCT SPECIFICATIONS		
Drawn by: EMB		Date: 05/21/2015
Scale: NOT TO SCALE	Checked by: DFH	Sheet: 1 of 1