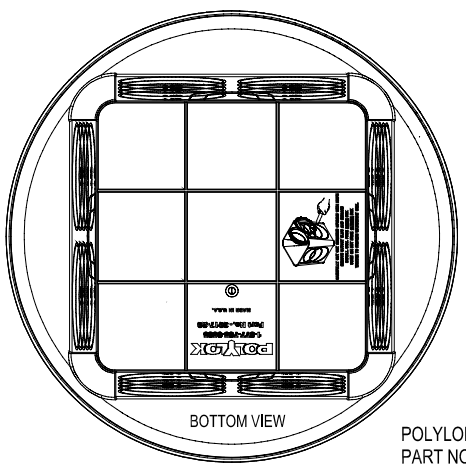


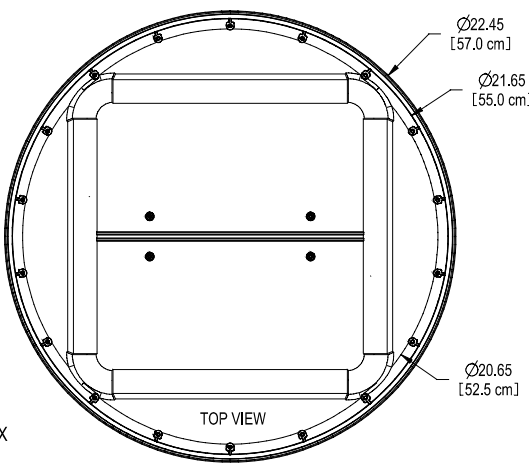


if it flows,
we go with it

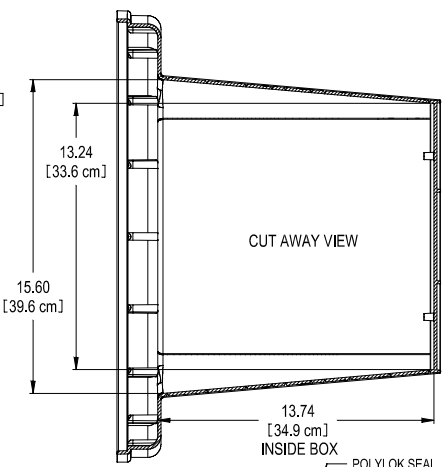
1.800.665.4499
barrplastics.com



BOTTOM VIEW



TOP VIEW



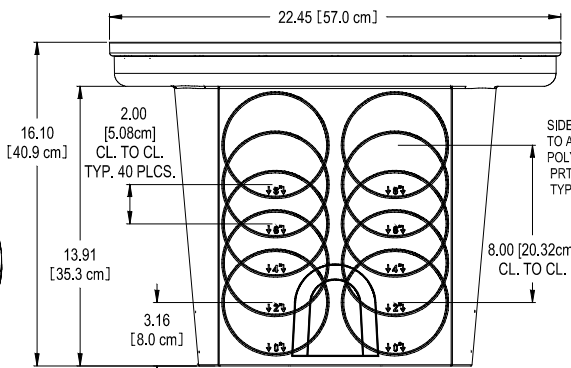
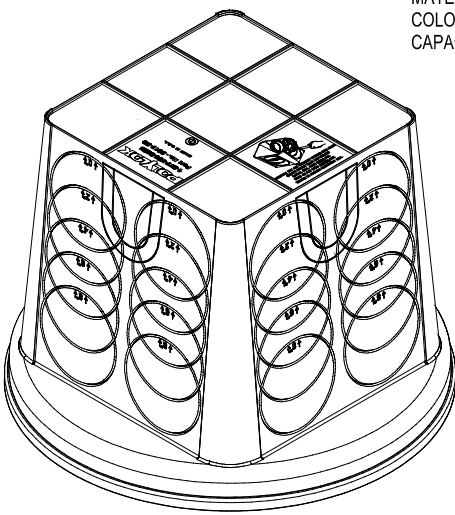
CUT AWAY VIEW

INSIDE BOX

POLYLOK 20" D-BOX
PART NO. 3017-20
MATERIAL - POLYPROPYLENE
COLOR - BLACK
CAPACITY - 15 GALLONS

BOX ACCEPTS:
LIGHT COVER PART NO. - 3009C
HEAVY COVER PART NO.-3017-C20
GRATE- PART NO.-3017-G20
6" TALL RISER PART NO. 3009
12" TALL RISER PART NO. 3009-R12

POLYLOK SEAL ASSEMBLY
PART NO. 3001
(4 SEAL ASSEMBLIES INCLUDED)



FRONT/SIDE VIEW

SIDE CUT OUT TO ACCEPT POLYLOK SEAL PRT. NO.3001 TYP. 40 PLCS.

