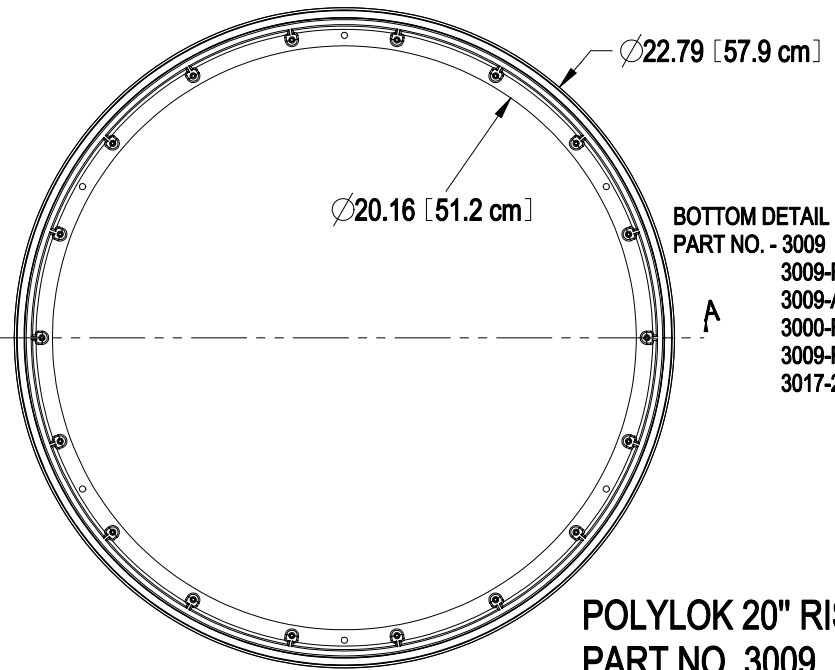
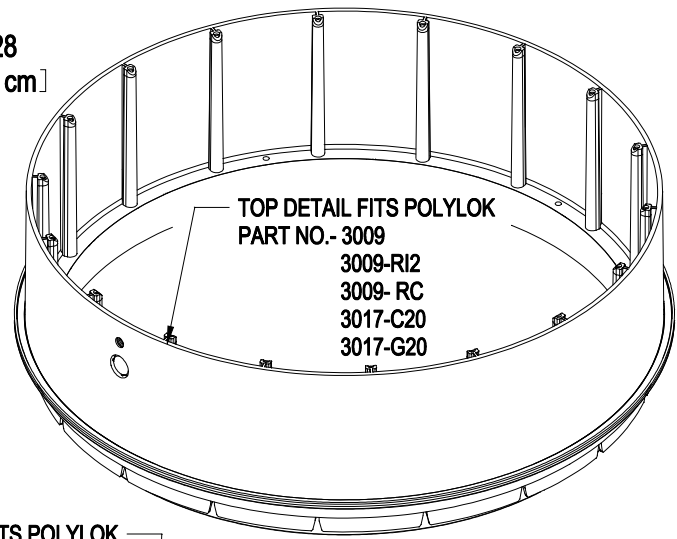
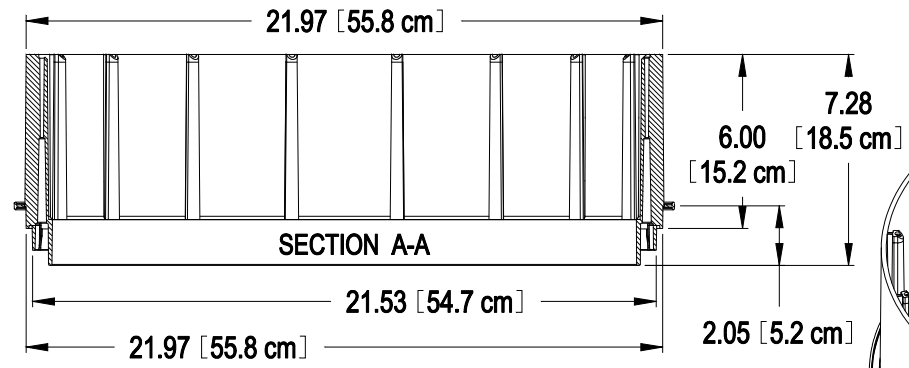


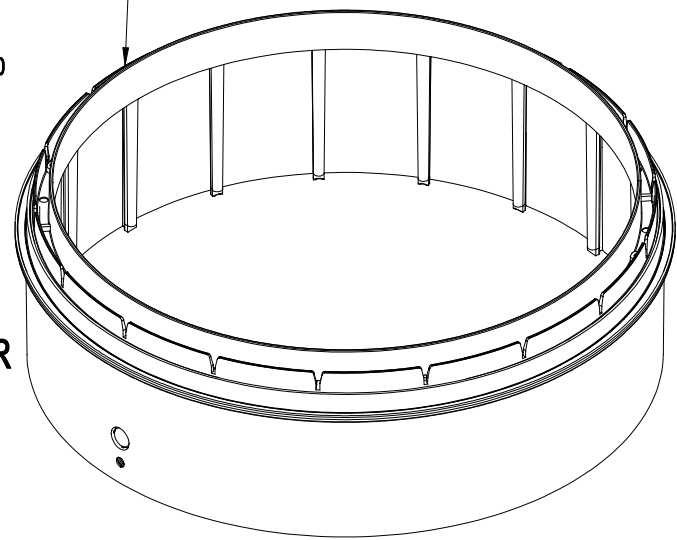


if it flows,
we go with it

1.800.665.4499
barrplastics.com



BOTTOM DETAIL FITS POLYLOK
PART NO. - 3009
3009-R12
3009-AR
3000-RTR20
3009-RP
3017-20



POLYLOK 20" RISER
PART NO. 3009
MATERIAL - HDPE
COLOR - GREEN