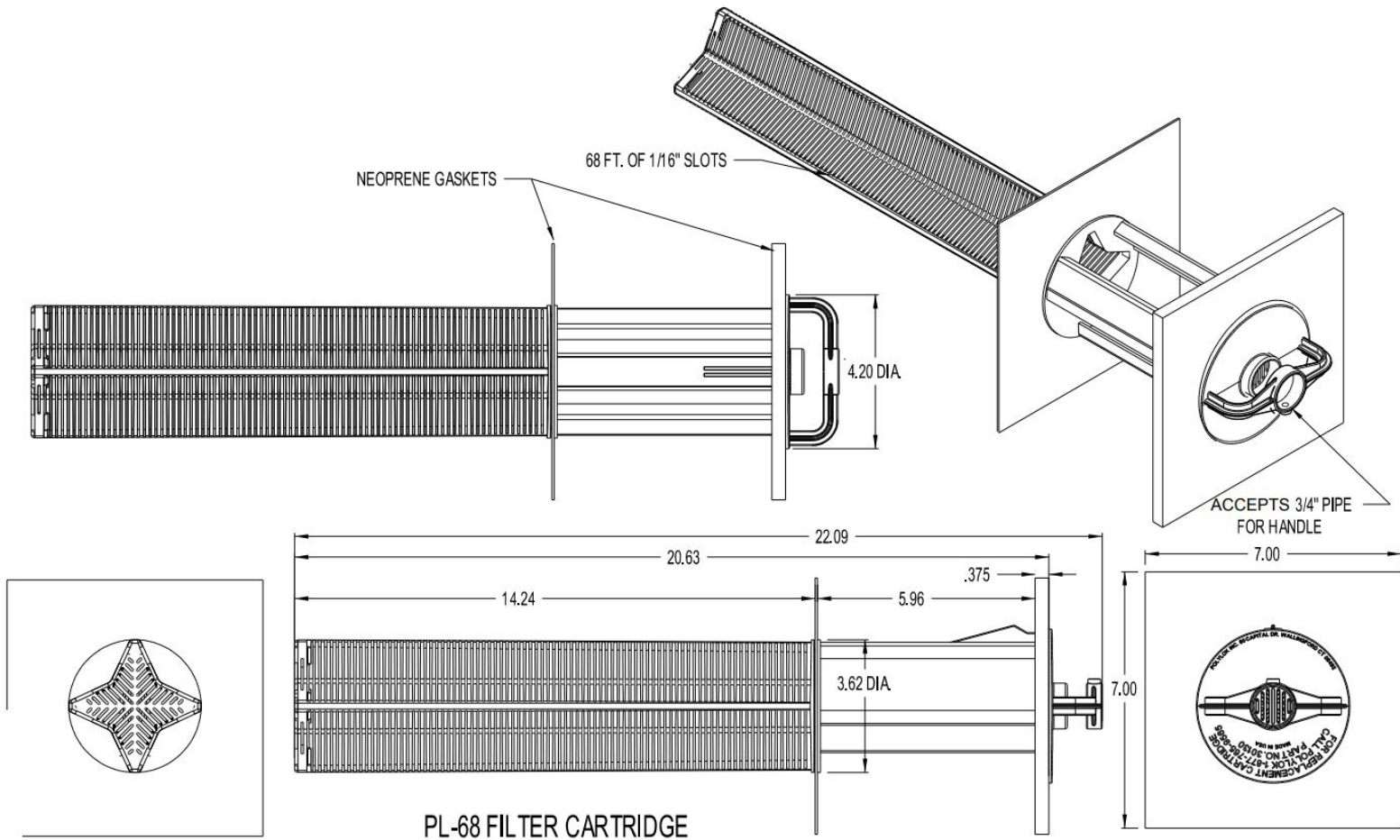




if it flows,
we go with it

1.800.665.4499
barrplastics.com



PL-68 FILTER CARTRIDGE
PART NO. - 30130-CB
MATERIAL - POLYPROPELYENE