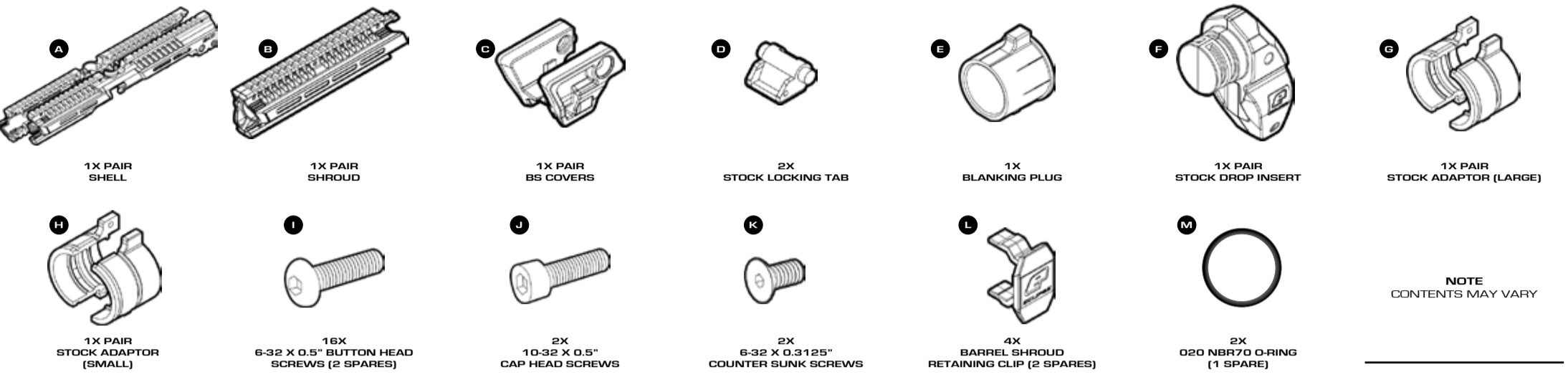


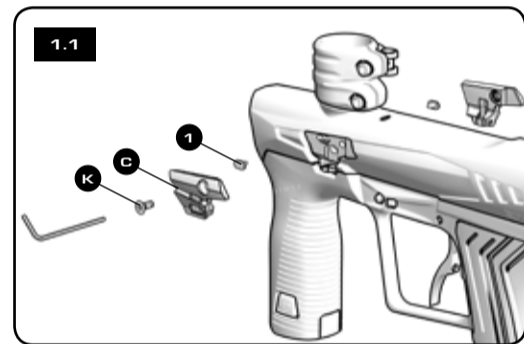
KIT CONTENTS



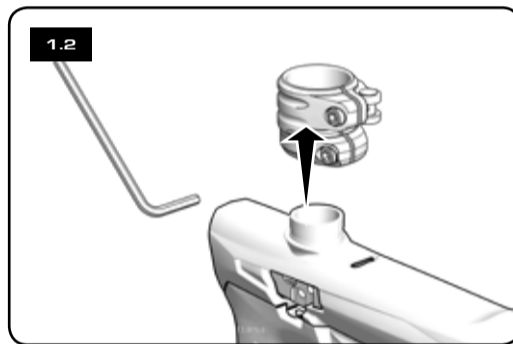
WARNING!
DE-GAS YOUR MARKER, DISCHARGING ANY STORED GAS IN A SAFE DIRECTION, AND REMOVE THE BARREL, LOADER, AIR SYSTEM AND ANY PAINTBALLS TO MAKE THE MARKER EASIER AND SAFER TO WORK ON. IMPROPER INSTALLATION, MISUSE, ILLEGAL USE OR MODIFICATION OF THIS PRODUCT OR ANY ATTACHED 3RD PARTY PRODUCTS MAY RESULT IN SERIOUS INJURY OR DEATH. MAKE SURE TO FULLY CLEAN ANY PAINT RESIDUE FROM YOUR RAIL KIT IMMEDIATELY AFTER USE TO AVOID POTENTIAL DAMAGE TO THE SURFACE FINISH.

NOTE:
IF YOU PLAN ON USING ANY 3RD PARTY BOLT ON RAIL SECTIONS IN THE 2, 3, 4 AND 8, 9, 10 O'CLOCK POSITIONS ON THE RAIL KIT, THESE NEED TO BE INSTALLED **BEFORE** ATTACHING THE ETHA2 EMC SHELLS.

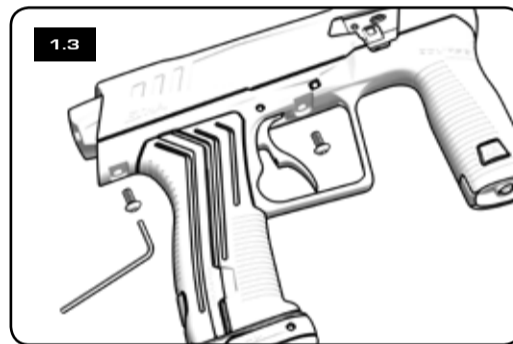
1.0 - REMOVING THE ETHA2 METAL BODY



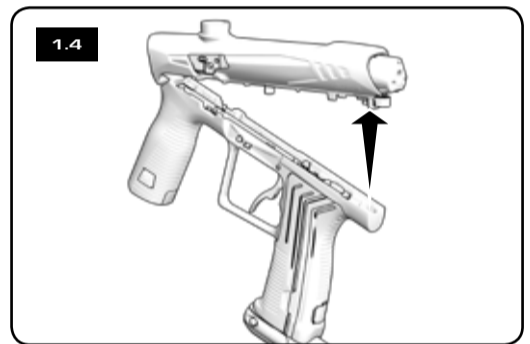
1.1 - UNSCREW AND REMOVE THE LEFT AND RIGHT BREECH SENSOR (BS) RETAINING SCREWS [K] AND BS COVERS [C] USING A 5/64" HEX KEY. REMOVE THE RUBBER DETENTS [1] AND RETAIN FOR INSTALLATION.



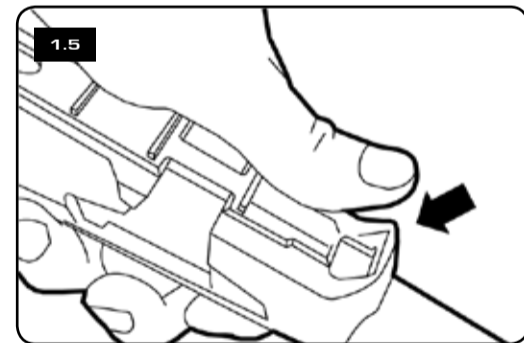
1.2 - UNSCREW AND REMOVE THE FEED TUBE USING A 5/32" HEX KEY.



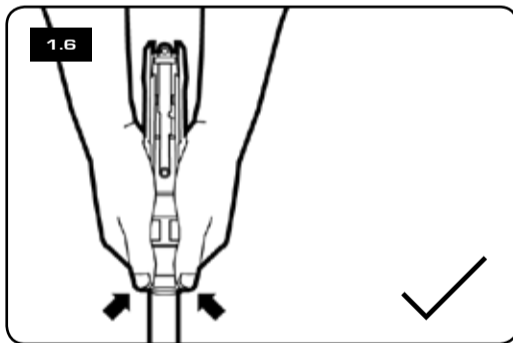
1.3 - UNSCREW AND REMOVE THE FRAME USING A 1/8" HEX KEY.



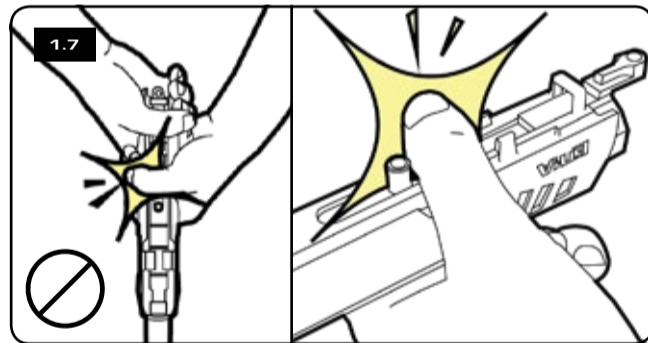
1.4 - TAKE CARE NOT TO DAMAGE ANY OF THE COMPONENTS ON TOP OF THE CIRCUIT BOARD.



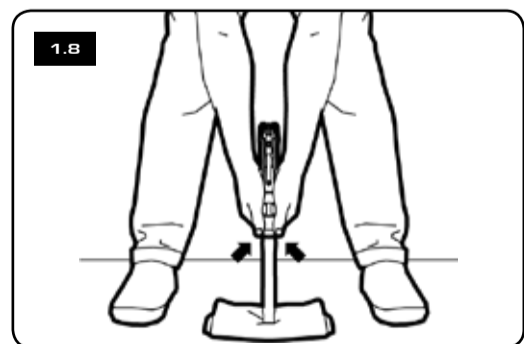
1.5 - LOCATE THE LIP AREA ON THE GRN BODY AS SHOWN.



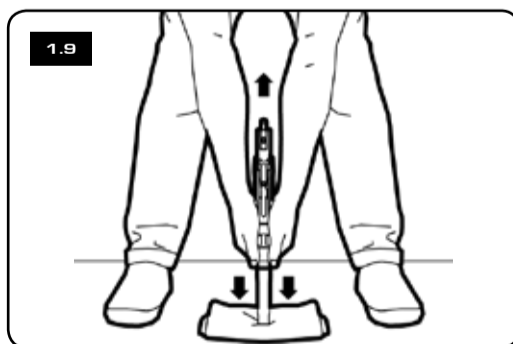
1.6 - PLACE BOTH THUMBS ON THE LIP.



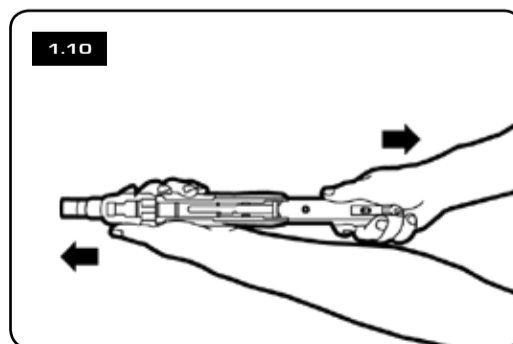
1.7 - KEEP FINGERS & THUMBS AWAY FROM MOVING PARTS TO AVOID INJURY. FOLLOW THE CORRECT PROCEDURE AS SHOWN.



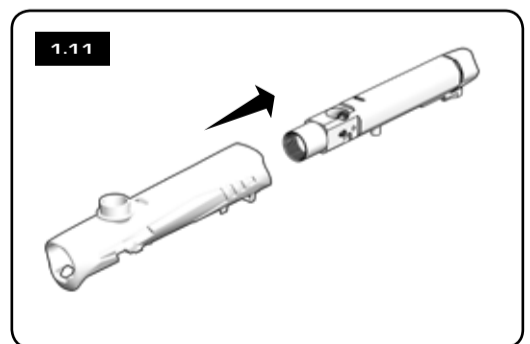
1.8 - YOU WILL NEED TO RETAIN OR INSERT YOUR BARREL BACK SECTION AS IT WILL ASSIST YOU IN FORCING OUT THE METAL BODY.



1.9 - PUSH DOWN WITH ENOUGH CONTROLLED FORCE TO RELEASE THE ETHA2 METAL BODY FROM THE GRN SHELL.



1.10 - SLIDE THE METAL BODY FROM THE GRN SHELL.

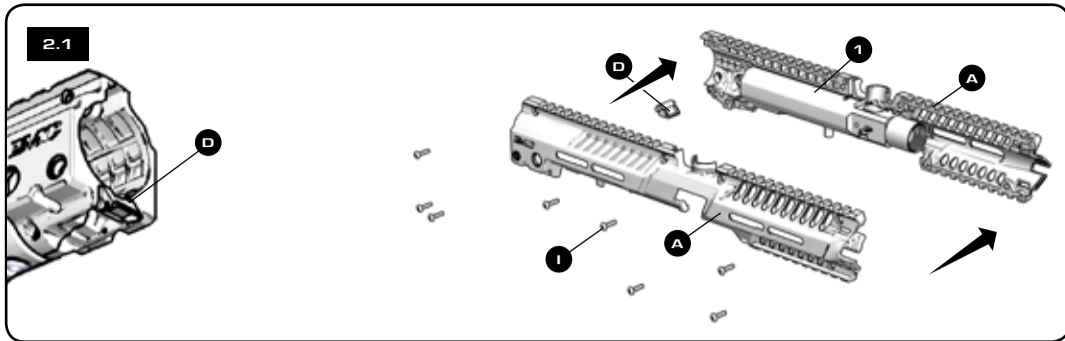


1.11 - AVOID INJURY SEE [1.7]

PLACE A TOWEL OR ADEQUATE PADDING ON THE FLOOR TO PROTECT YOUR BARREL FROM DAMAGE.

STOP PUSHING ONCE THE BODY IS RELEASED. FAILURE TO CONTROL THE RELEASE OF THE BODY COULD RESULT IN INJURY.

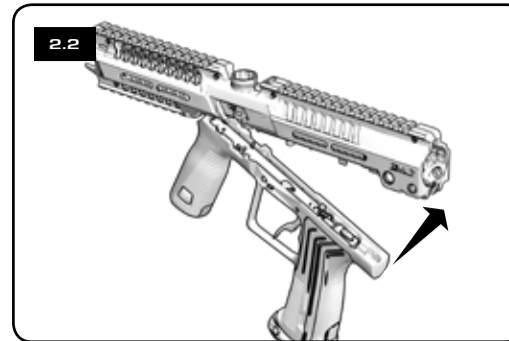
2.0 - INSTALLING THE ETHA2 EMC KIT



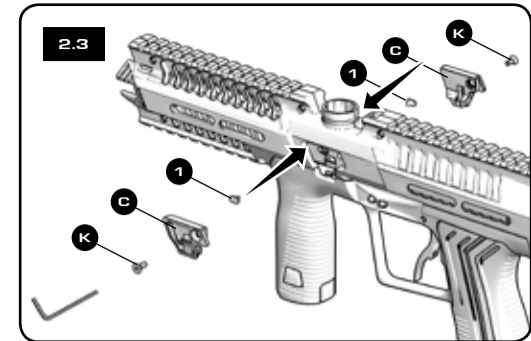
2.1 - PLACE THE **METAL BODY [1]** INTO THE LEFT OR RIGHT **SHELL [A]** ALIGNING THE FEED PORT WITH THE FEED BOSS IN THE SHELL.

INSERT THE **STOCK LOCKING TAB [D]** INTO THE BACK OF THE SHELL. PLACE THE OTHER **SHELL [A]** OVER THE **METAL BODY [1]**.

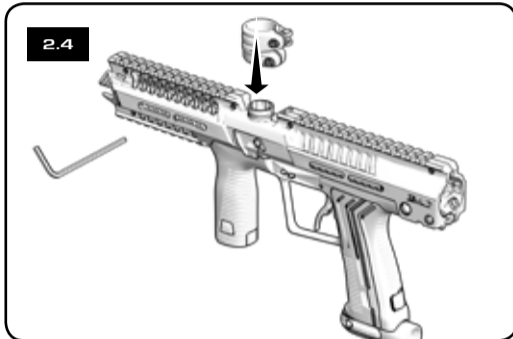
SCREW THE TWO **SHELLS [A]** TOGETHER WITH EIGHT OF THE **6-32 X 0.5" BUTTON HEAD SCREWS [I]** PROVIDED USING A **5/64" HEX KEY**.



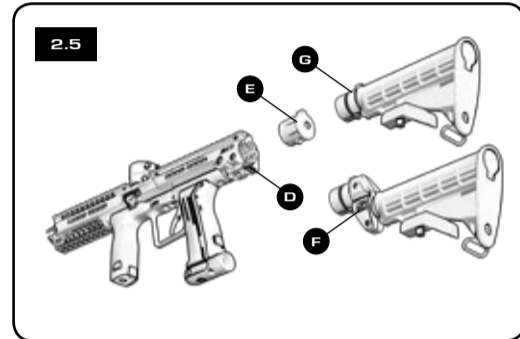
2.2 - ATTACH THE FRAME AND REPLACE THE TWO FRAME SCREWS. ENSURE THE SOLENOID GASKET IS SEATED CORRECTLY BEFORE REPLACING THE FRAME SCREWS USING A **1/8" HEX KEY**.



2.3 - REPLACE THE **RUBBER DETENTS [1]** IN THE METAL BODY THEN INSTALL THE LEFT AND RIGHT **BS COVERS [C]** AND **RETAINING SCREWS [K]** USING A **5/64" HEX KEY**.

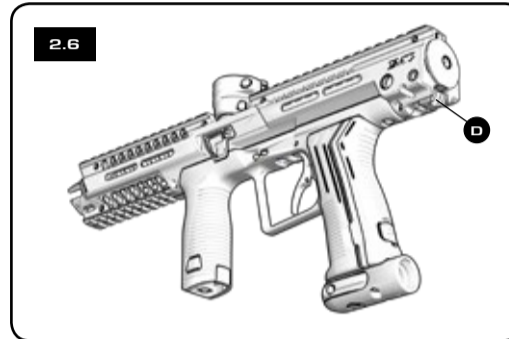


2.4 - INSTALL THE FEED TUBE ASSEMBLY USING A **5/32" HEX KEY**.

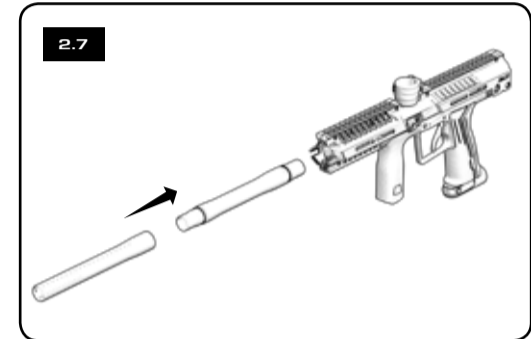


2.5 - OPEN THE **STOCK LOCKING TAB [D]** USING A FINGER OR SMALL HEX KEY.

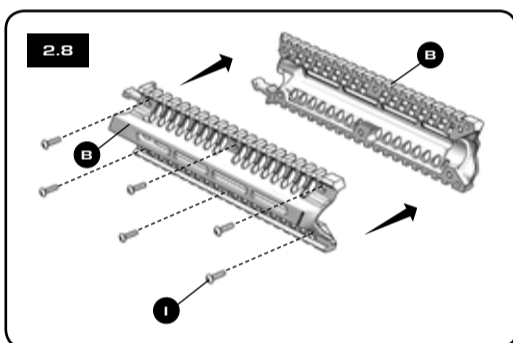
INSERT THE **BLANKING PLUG [E]**, **STOCK ADAPTOR [G/H]** OR **STOCK DROP INSERT [F]** WITH COMPATIBLE STOCK* INTO THE BACK OF THE EMC KIT.



2.6 - CLOSE THE **STOCK LOCKING TAB [D]** TO SECURE THE ACCESSORY INTO PLACE.

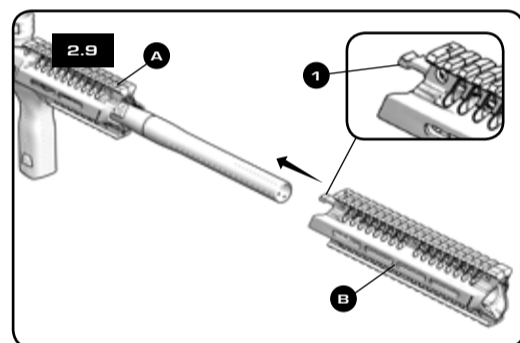


2.7 - INSTALL A BARREL BACK AND BARREL TIP ENSURING BOTH ARE SCREWED SECURELY INTO THE MARKER.



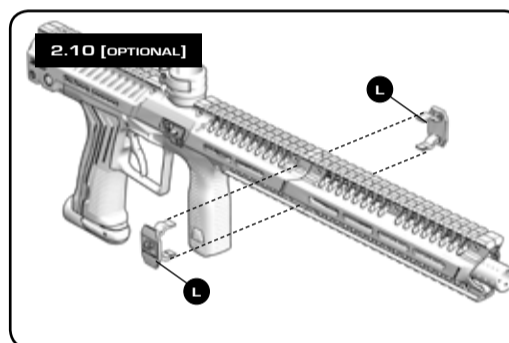
2.8 - SCREW THE TWO HALVES OF THE **BARREL SHROUD [B]** TOGETHER USING SIX **6-32 X 0.5" BUTTON HEAD SCREWS [I]** PROVIDED USING A **5/64" HEX KEY**.

⚠ THE INSTALLATION OF THE BARREL SHROUD IS OPTIONAL. IT WILL NEED TO BE REMOVED BEFORE THE BARREL CAN BE REMOVED FROM THE MARKER.



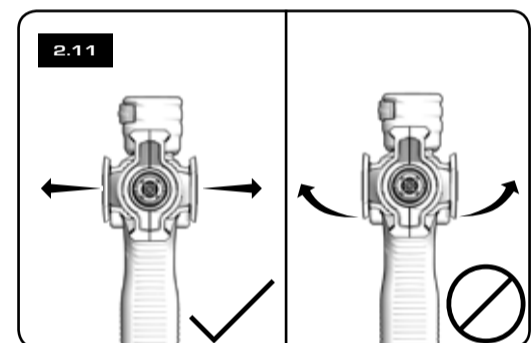
2.9 - APPLY A SMALL QUANTITY OF GREASE TO THE **RETAINING ARMS [1]**. SLIDE THE **SHROUD [B]** OVER THE BARREL AND PUSH THE **RETAINING ARMS [1]** INTO THE ETHA2 EMC SHELLS [A].

⚠ THE FRONT TWO SCREWS ON THE BARREL SHROUD AND ETHA2 EMC SHELLS MAY NEED LOOSENING SLIGHTLY, USING A **5/64" HEX KEY**, IF THE BARREL SHROUD IS DIFFICULT TO INSTALL.



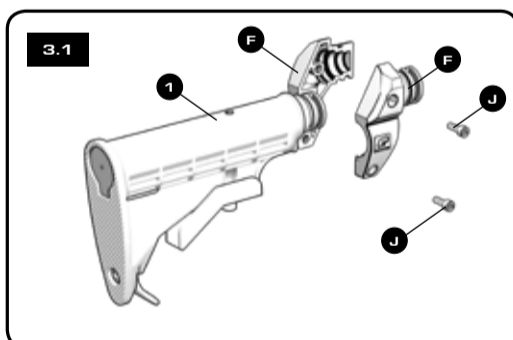
2.10 (OPTIONAL) - THE SHROUD WILL BE SECURE INSIDE THE MAIN SHELLS FOR MOST USERS WITHOUT FURTHER RETENTION. FOR AN EXTRA SECURE FIT, PUSH THE **RETAINING CLIPS [L]** INTO THE SLOTS ON THE ETHA2 EMC SHELLS.

⚠ THE RETAINING CLIPS MUST BE PUSHED INTO THE SHELLS STRAIGHT, NOT AT AN ANGLE.



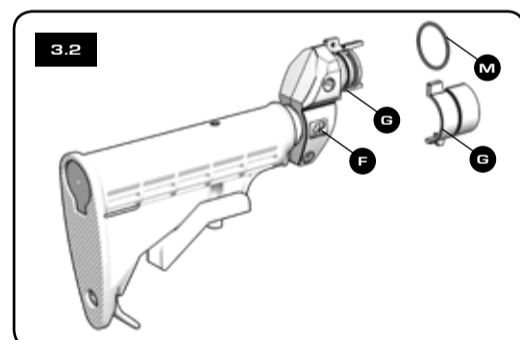
2.11 - TO REMOVE THE **RETAINING CLIPS** PULL THE CLIPS OUT STRAIGHT FROM THE **BARREL SHROUD**. DO NOT PULL OR LEVER OFF AT AN ANGLE OR THE CLIPS MAY BE DAMAGED.

3.0 - STOCK INSTALLATION



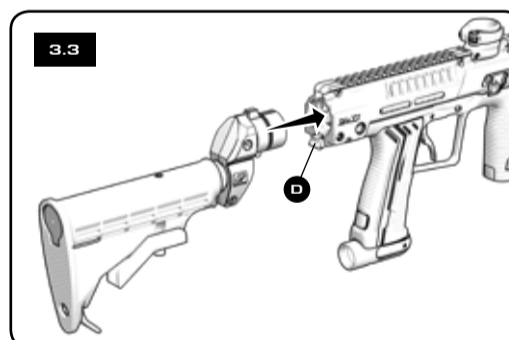
3.1 - PLACE **STOCK [1]** INTO THE LEFT OR RIGHT **STOCK DROP SHELL [F]** PLACE THE REMAINING SHELL OVER THE STOCK.

SCREW TOGETHER WITH TWO **10-32 X 0.5" CAP HEAD SCREWS [J]** PROVIDED USING A **5/32" HEX KEY**.

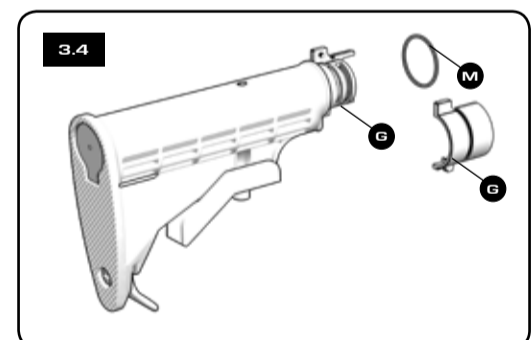


3.2 - PLACE THE **STOCK ADAPTOR [G/H]** HALVES AROUND THE **STOCK DROP [F]** INSERT, FOLLOWED BY THE **RETAINING NBR70 O-RING [M]**.

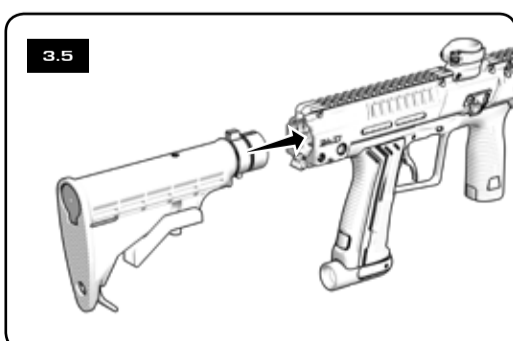
⚠ THERE ARE TWO DIFFERENT SIZED ADAPTORS PROVIDED WITH THE KIT. THE ADAPTORS WITH AN ADDITIONAL EXTERNAL GROOVE HAVE A SMALLER INTERNAL DIAMETER.



3.3 - INSERT THE ASSEMBLY INTO THE BACK OF THE ETHA2 EMC SHELLS AND CLOSE THE **STOCK LOCKING TAB [D]**.



3.4 - THE **STOCK ADAPTOR [G/H]** COMPRISES OF A LEFT AND RIGHT HALF. FIT THEM TOGETHER WITH THE LARGE **020 NBR70 O-RING [M]** SAT IN THE STOCK ADAPTORS MIDDLE GROOVE. THE STOCK CAN NOW BE FITTED TO THE EMC RAIL KIT.



3.5 - INSERT YOUR **EMC COMPATIBLE STOCK***



NOTE

*THE ETHA2 EMC STOCK ADAPTOR ACCEPTS MOST BT-4™/MODEL-98™ ADJUSTABLE CAR STYLE STOCKS.

SOME 3RD PARTY BT-4™/MODEL-98™ STYLE STOCKS MAY NOT FIT PERFECTLY IN THE EMC RAIL SYSTEM ADAPTOR AND SOME MODIFICATION MAY BE REQUIRED TO ACHIEVE A TIGHT FIT. WE SUGGEST USING A THIN LAYER OF ELECTRICAL TAPE OR SIMILAR ON THE GROOVED SECTION OF THE STOCK TO ENSURE A TIGHT FIT IN THE ADAPTOR.