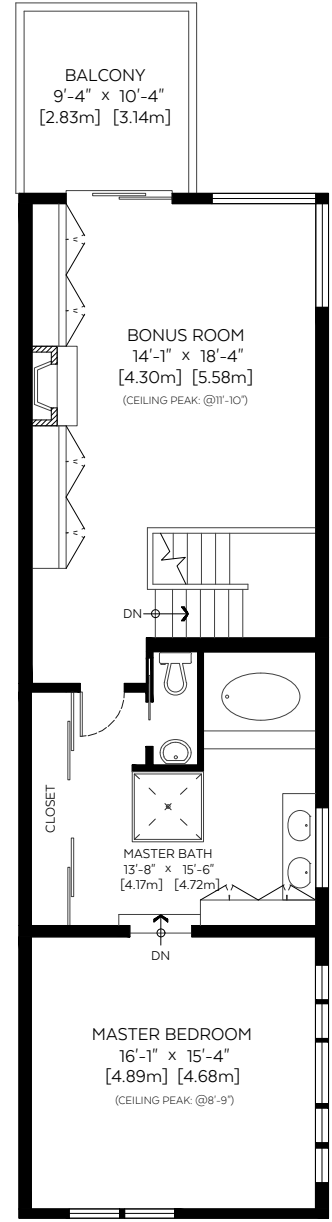
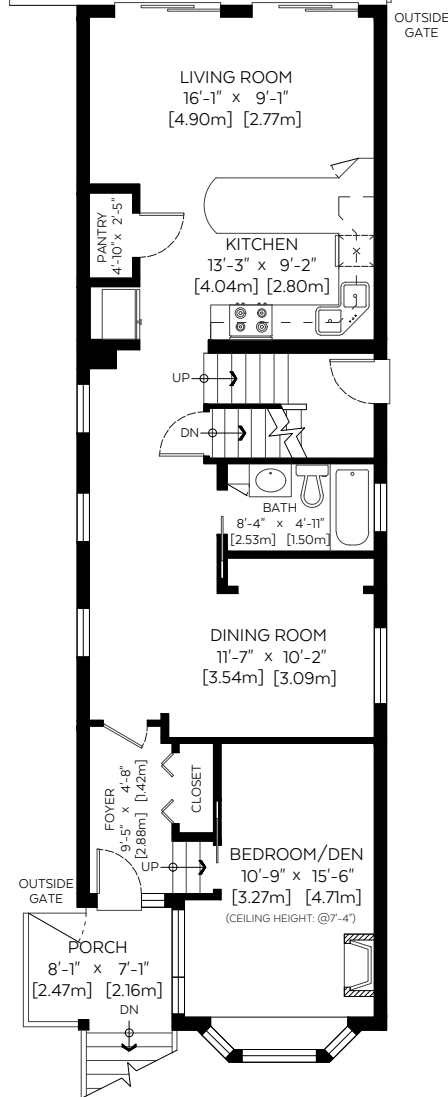
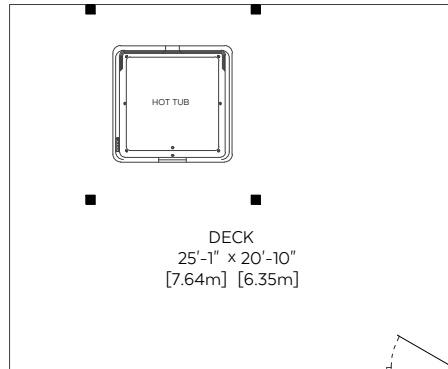
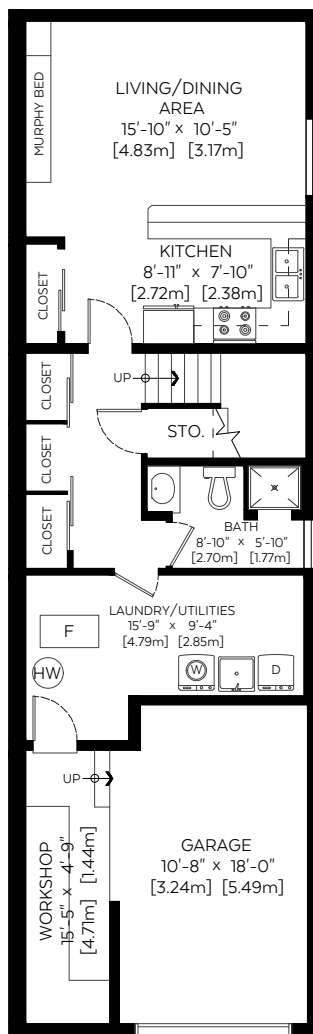


| | | |
|--------------------------------|---------------------|---------------------|
| Main Floor: | 976 sq.ft. | 90.67 sq.m. |
| Upper Floor: | 1,013 sq.ft. | 94.11 sq.m. |
| RMS Total (Above Grd.): | 1,989 sq.ft. | 184.78 sq.m. |
| Lower Floor (Below Grd.): | 614 sq.ft. | 57.04 sq.m. |

Auxiliary Area

| | | |
|------------------|------------|-------------|
| Garage/Workshop: | 270 sq.ft. | 25.08 sq.m. |
| Porch: | 54 sq.ft. | 5.02 sq.m. |
| Deck: | 521 sq.ft. | 48.40 sq.m. |
| Balcony: | 96 sq.ft. | 8.92 sq.m. |



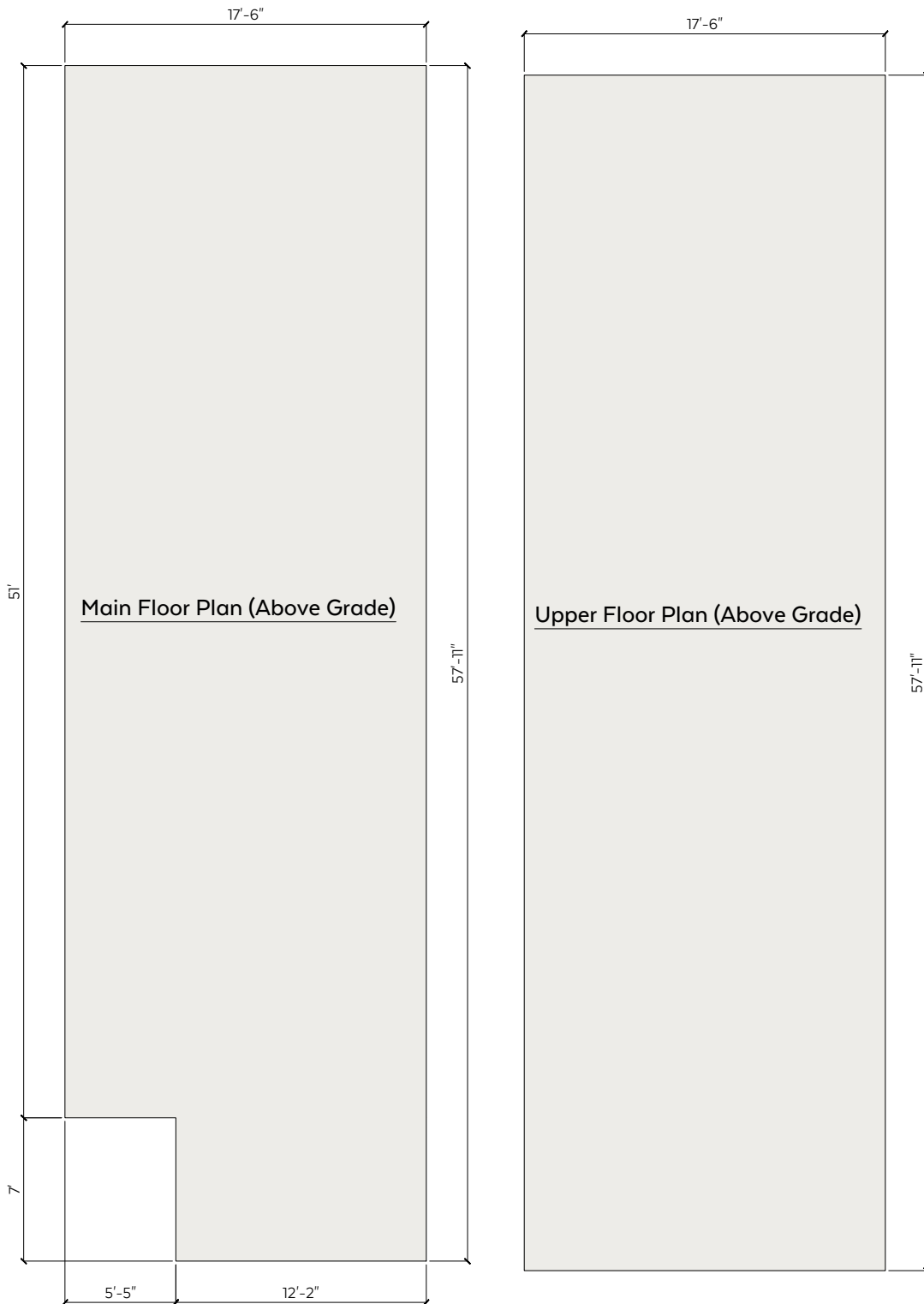
Measured on: Mar. 21, 2019



Measurements and Floorplans are certified, guaranteed and insured.
The floor plan is not suitable for architectural/construction, square footage-method RMS standards used & is covered under E&O. © Excelsior Measuring Inc. 2019. All rights reserved for Excelsior Measuring Inc. Users shall not publish and distribute such material (in whole or in part) and/or incorporate it in other works in any form.
*RMS area calculated using interior perimeter walls (paint to point) in accordance with RMS principle 4.



NORTH

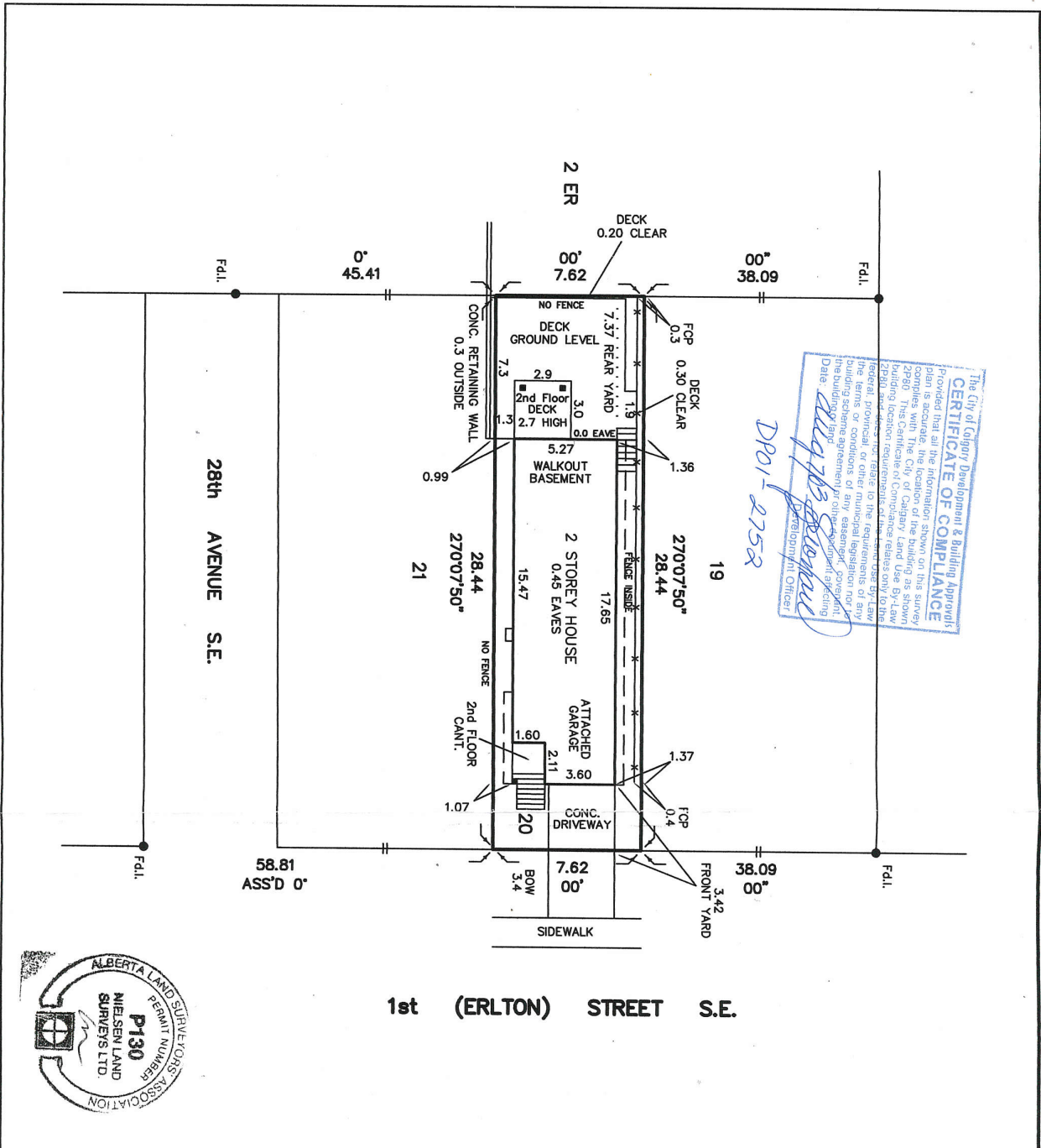


Measurements and Floorplans are certified, guaranteed and insured.

**There will be a small discrepancy in our sqft found in AutoCAD vs sqft found by adding the wall lengths together. This is due to rounding. The wall lengths on Perimeter Outlines are rounded up to the nearest whole number, whereas the sqft found in AutoCAD calculates from a higher decimal.

The floor plan is not suitable for architectural/construction, square footage—method RMS standards used & is covered under E&O. © Excelsior Measuring Inc. 2019. All rights reserved for Excelsior Measuring Inc. Users shall not publish and distribute such material (in whole or in part) and/or incorporate it in other works in any form.

*RMS area calculated using interior perimeter walls (paint to paint) in accordance with RMS principle 4.



ALBERTA LAND SURVEYORS' REAL PROPERTY REPORT

LEGAL DESCRIPTION
 LOT 20
 BLOCK 5
 PLAN 2865 A.C. ERLTON

ADDRESS
 2615 - 1st (ERLTON) STREET S.E.
 Calgary, Alberta

OWNER :
 ISAAC

SCALE : 1 : 200

BY : ALLAN G. NIELSEN , A.L.S. 2001.

NOTES :

- 1.) Statutory Iron Posts found shown thus
- 2.) All distances shown are in metres and decimals thereof.
- 3.) Title boundary outlined thus
- 4.) Line not to scale shown thus
- 5.) Sideyard and setback distances are measured to concrete walls, except when otherwise shown.

Date of the search : 12/06/2001

Certification : I, Allan G. Nielsen, Alberta Land Surveyor, hereby certify that this Report, which includes the Plan and related Survey, was prepared and performed under my personal supervision and in accordance with the Manual of Standard Practice of the Alberta Land Surveyors' Association and supplements thereto. Accordingly within those standards as of the date of this Report, I am of the opinion that :
 1. the Plan illustrates the boundaries of the Property, the permanent visible improvements situated thereon (the "Improvements"), registered easements, right-of-way, and other registered instruments affecting the extent of title to the Property;
 2. the Improvements are entirely within the boundaries of the Property;
 3. no visible encroachments exist on the Property from any improvements situated on a adjoining property;
 4. no visible encroachments exist on registered easements, right-of-way or other registered instruments affecting the extent of property;
 Purpose : This Report and the related Plan and Survey have been prepared and performed only for the benefit of the Client, the Client's purchaser (if this was prepared to facilitate a sale) and any of their legal advisors and lenders/mortgagees. Copying is permitted only for the benefit of those parties. Where applicable, registered easements, utility right-of-way, and other registered instruments affecting the extent of the property have been shown on the Plan. Unless otherwise shown, property corner markers have not been placed during the Survey for this Report. The Plan should not be used to establish property boundaries.
 Registered instrument affecting the extent of property, if any.
 NONE

CLIENT :
 Dated at the City of Calgary, Alberta,
 ORIGINAL SURVEY AUGUST 31, 1992.
 UPDATED JULY 17, 2001
 UPDATED JUNE 21, 2003.

Allan G. Nielsen, A.L.S.

Nielsen Land Surveys Ltd.
 232 SHANNON MEWS S.W. CALGARY
 ALBERTA, T2Y 2T6 PH. 256 - 3409
 Your file : 92307

