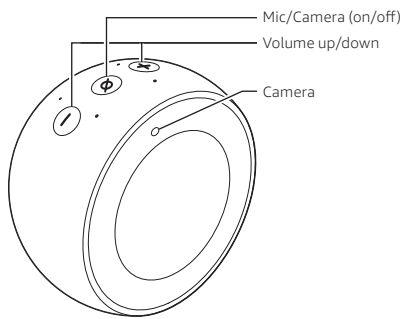


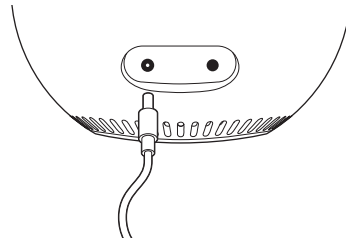
Getting to know your Echo Spot



Also included: Power adaptor

1. Plug in your Echo Spot

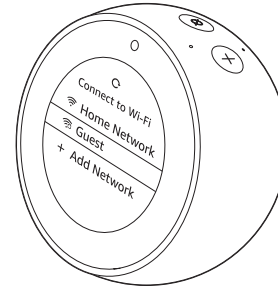
Plug the power adaptor into your Echo Spot and then into an electrical socket. You must use the items included in the original Echo Spot package for optimal performance. In about a minute, the display will turn on and Alexa will greet you.



2. Set up your Echo Spot

Follow the on-screen instructions to set up your Echo Spot. During setup, you will connect your Echo Spot to the Internet, so you can access Amazon services. Please make sure you have your Wi-Fi password.

To learn more about Echo Spot, go to Help in the Alexa App or visit www.amazon.com/devicesupport.



Getting started with your Echo Spot

Interacting with your Echo Spot

- See the Things to Try card to help you get started.
- To access Settings, swipe down from the top of the screen, or say "Alexa, show Settings."
- A short press of the Mic/Camera button will turn off the microphones and camera, and the LED will turn red.

Alexa App

Download the Alexa App from the app store. The app helps you get more out of your Echo Spot. It's where you see an overview of your requests and manage your contacts, lists, news, music and settings. Start the download process in your mobile browser at <https://alexa.amazon.com.au>.

Give us your feedback

Alexa will improve over time, with new features and ways to get things done. We want to hear about your experiences. Use the Alexa App to send us feedback or visit www.amazon.com/devicesupport.