

TYPE:
CAT. #: BTM-

BTM BOLT-ON TREE MOUNT

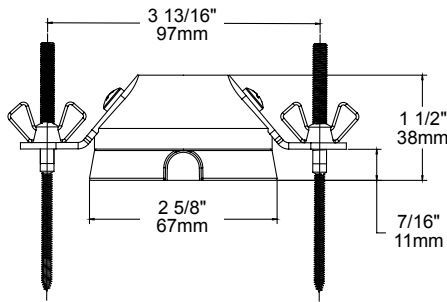
Auroralight's Tree Mounts are machined from solid brass for durability and feature a nylon base with multiple wire exit ports. For use with 12V lighting systems.

The **Bolt-on Tree Mount** is a simple and robust solution for use when a solid mount is required or preferred over our passive Tree Strap. Includes two 1/4"-20 x 3" Stainless Steel hanger bolts which serve as a stand-off to accommodate future tree growth.

For easy and safe installation, you can pre-wire luminaires on the ground, and use the supplied stainless steel retention clip to hold connectors inside each brass fitting.

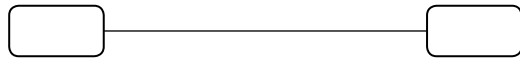


BOLT-ON TREE MOUNT



ORDERING GUIDE: ^{Prefix} **BTM** BTM B (BOLT-ON) T (TREE) M (MOUNT)

□ INDICATES REQUIRED FIELD □ INDICATES OPTIONAL FIELD



FIXTURE ATTACHMENT

[1/2] 1/2" NPS Female Threaded Hole
Fits 1/2" Universal fixtures

[AMS] Auroralight Mount System
Adds 1/2" Brass Adapter to fit SL, LSL and HSL series directional luminaires

FINISH

[NAT] Natural
[BLP] Bronze Living Patina
[BLP-XD] BLP Extra Dark
[NI] Nickel PVD

