

# CP4 COVER PLATE

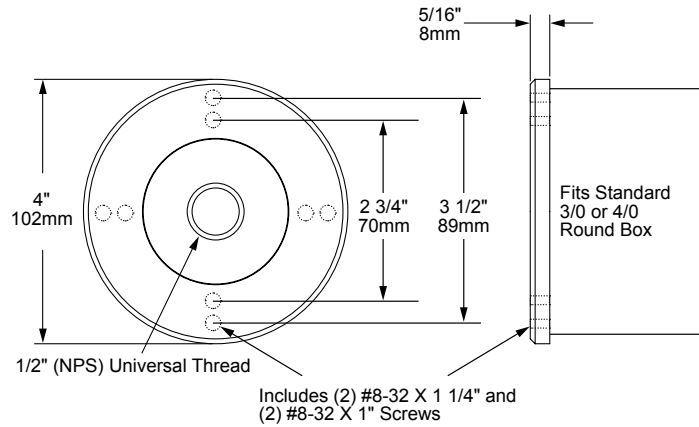
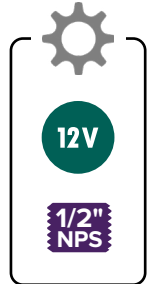
The **CP4** Cover Plate, part of a full family of canopies from Auroralight, is an architectural upgrade worthy of consideration. The CP4 is compatible with a number of box sizes and utilizes a standard 1/2" (NPS) Universal Thread for near limitless fixture compatibility. Machined from solid brass for durability, the CP4's traditional look complements any décor while concealing the screws in an elegant solution.



CP4-BR-NAT

Brass Mount Plate

Escutcheon  
(Shown in [BR] Brass)



**ORDERING GUIDE:** <sup>Prefix</sup> **CP4** C (COVER) P (PLATE) 4 (4")

□ INDICATES REQUIRED FIELD    □ INDICATES OPTIONAL FIELD



**ESCUTCHEON**  
(Brass Mount Plate)  
**[BR]** Brass  
**[CU]** Copper

**FINISH**  
Standard (Included):  
**[NAT]** Natural  
Plus (Optional):  
**[BLP]** Bronze Living Patina  
**[BLP-XD]** BLP Extra Dark  
Premium (Optional):  
**[NI]** Nickel PVD  
**[PVD]** PVD Color (Contact Factory for Availability)

