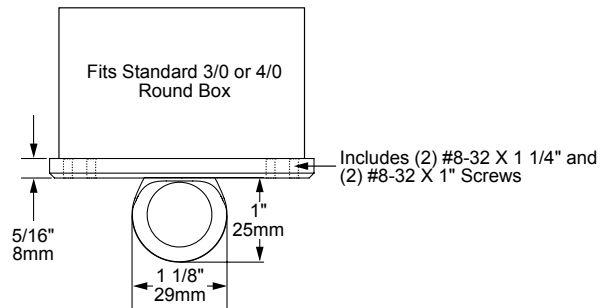
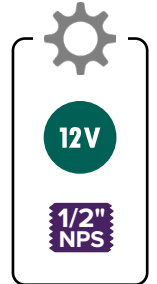
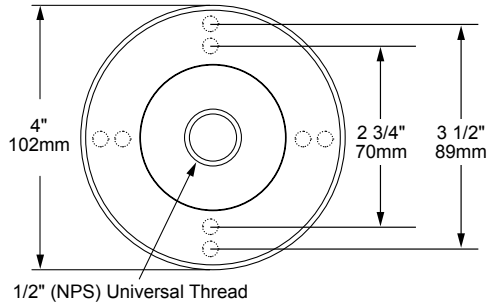


CP4-HL COVER PLATE



CP4-HL-R1-NAT

The CP4-HL Cover Plate, part of a full family of canopies from Auroralight, is an architectural upgrade worthy of consideration. The CP4-HL is compatible with many box sizes and utilizes a standard 1/2" (NPS) Universal Thread for near limitless fixture compatibility. The CP4-HL is machined from Solid Brass for durability; the CP4-HL's traditional look complements any décor while concealing the screws in an elegant solution.



ORDERING GUIDE: CP4-HL ^{Prefix} C (COVER) P (PLATE) 4 (4") H (HANGING) L (LIGHT)

□ INDICATES REQUIRED FIELD □ INDICATES OPTIONAL FIELD



ESCUTCHEON
(Brass Mount Plate)
[BR] Brass
[CU] Copper

PENDANT ATTACHMENT
[R1] Fixed Ring
For use with all hanging fixtures and pendants, except LML350 and LML400 Series.
[R2] Swivel Ring
For use with all hanging fixtures and pendants.

FINISH
Standard (Included):
[NAT] Natural
Plus (Optional):
[BLP] Bronze Living Patina
[BLP-XD] BLP Extra Dark
Premium (Optional):
[NI] Nickel PVD
[PVD] PVD Color (Contact Factory for Availability)

