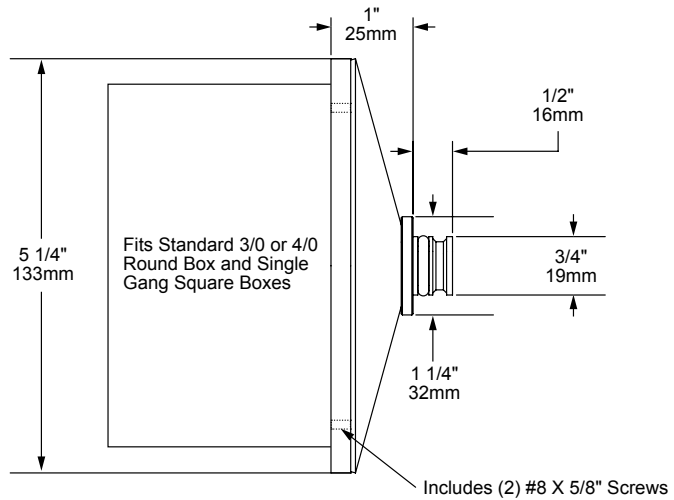


CP5 COVER PLATE

The **CP5** Cover Plate, part of a full family of canopies from Auroralight, is a graceful partner in mounting our luminaire. Featuring our Aurora Mount System (AMS) built into the cover plate for maximum aim-ability and 360° of fixture rotation, the CP5 is designed to fit all standard 3" and 4" round or single gang square boxes that are recessed into walls or other flat surfaces.



CP5-BLP



ORDERING GUIDE: ^{Prefix} CP5 C (COVER) P (PLATE) 5 (5 1/4")

□ INDICATES REQUIRED FIELD □ INDICATES OPTIONAL FIELD



FINISH

Standard (Included):

[NAT] Natural

Plus (Optional):

[BLP] Bronze Living Patina

[BLP-XD] BLP Extra Dark

Premium (Optional):

[NI] Nickel PVD

[PVD] PVD Color (Contact Factory for Availability)

COMPATIBLE WITH:

