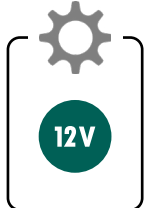
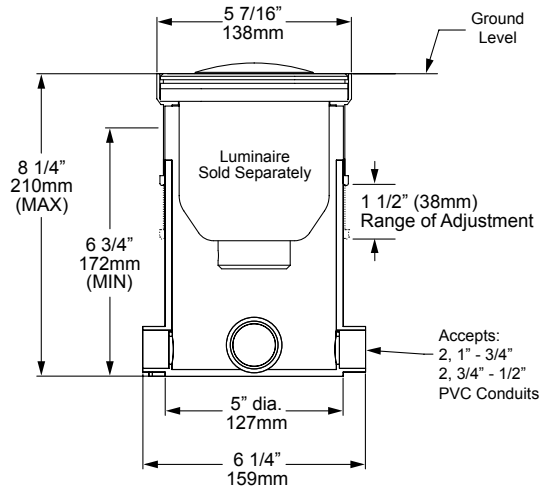


CPK CONCRETE POUR KIT

The **CPK** Concrete Pour Kit, part of the most comprehensive ground mount offering available, combines the strength of brass and copper with molded PVC for a durable in-grade installation accessory. Ideal for installation into concrete, stone, tile or any time grout will be in contact with the fixture, or in soil where conduits runs are desired. For use with HWL11, LWL5 and WL16 in-grade luminaires.



ORDERING GUIDE: ^{Prefix} **CPK** C (CONCRETE) P (POUR) K (KIT)

□ INDICATES REQUIRED FIELD □ INDICATES OPTIONAL FIELD



FINISH

Standard (Included):

[NAT] Natural

Plus (Optional):

[BLP] Bronze Living Patina

[BLP-XD] BLP Extra Dark

Premium (Optional):

[NI] Nickel PVD

[PVD] PVD Color (Contact Factory for Availability)

FOR USE WITH

