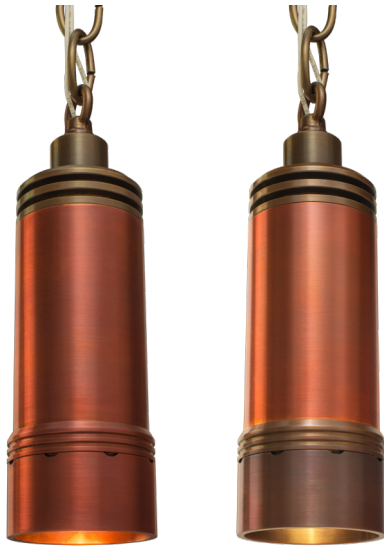


DLX16-HL MARINER



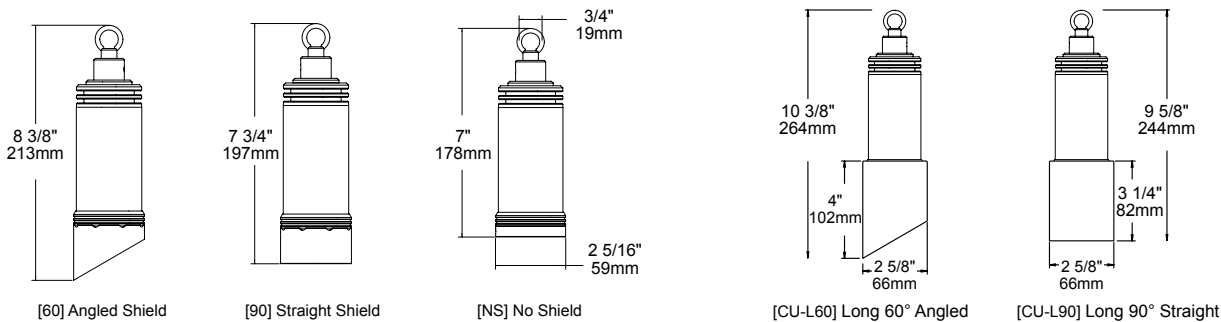
CU-90-MK-BLP

BR-90-MK-BLP

The **DLX16-HL** hanging light is optimized for drop-in MR16 LED lamps for customers who prefer LED retrofit lamps as their LED solution. Featuring a thermally conductive core coupled to a copper and brass external body, the DLX16-HL is more efficient at dissipating heat away from the lamp,* ensuring peak performance and increased lamp life. The DLX16-HL is Dark-Sky compliant for light-sensitive areas that do not allow directional spotlights.

Features include:

- Optimized for LED MR16 Retrofit lamps**
- 8 Glare Shield Options
- 12 VAC Electronic or Magnetic Source Compatible
- Solid Brass or Solid Copper and Brass Construction



ORDERING GUIDE: **DLX16** HL (HANGING LIGHT) X (NO LAMP) 16 (MR16 LAMP BASE)

Prefix

☐ INDICATES REQUIRED FIELD ☐ INDICATES OPTIONAL FIELD



GLARE SHIELD

- [BR-60]** Brass, 60° Angled
- [BR-90]** Brass, 90° Straight
- [BR-NS]** Brass, No Shield
- [CU-60]** Copper, 60° Angled
- [CU-90]** Copper, 90° Straight
- [CU-NS]** Copper, No Shield
- [CU-L60]** Copper, Long 60° Angled
- [CU-L90]** Copper, Long 90° Straight

LED LAMP

- [8N27]** 8.5W, 15°, 2700K
- [8M27]** 8.5W, 25°, 2700K
- [8W27]** 8.5W, 35°, 2700K
- [8N30]** 8.5W, 15°, 3000K
- [8M30]** 8.5W, 25°, 3000K
- [8W30]** 8.5W, 35°, 3000K

ACCESSORIES

- SELECT UP TO TWO (3/16" each)
- [H]** Hex Baffle
 - [L]** Linear Spread*
 - [P]** Prismatic Lens*
 - [MP]** Micro Prismatic*
 - [F]** Frost (Diffusion)
 - [O]** Opal Lens
 - [R1, 2, 3, or 4]** Red
 - [G1, 2, 3, or 4]** Green
 - [B1, 2, 3, or 4]** Blue
 - [Y1, 2, 3, or 4]** Yellow
 - [AR]** Accessory Retainer (Optional)

HL MOUNT

- (Inc. 16-18" Cord and Stainless Steel Wire w/ loop)
- [MK]** Mount Kit (Inc. 18" solid brass chain and splice box)

FINISH

- [NAT]** Natural
- [BLP]** Bronze Living Patina
- [BLP-XD]** BLP Extra Dark
- [NI]** Nickel PVD

LED LAMP FACTS

Brightness550 lumens

Estimated Yearly Cost..... \$1.02
Based on 3 hrs/day, 11¢/kWh. Cost depends on rates and use.

Life22.8 years
Based on 3 hrs/day.

Energy Used..... 8.5 watts

Halogen Equivalent 75 watts

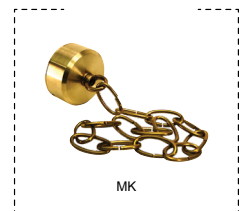
CRI..... 90

Dimmable.....Yes

Warranty.....3yrs



* Limit ONE when AR is selected



*Compared to Standard Halogen luminaires

**Must be rated for enclosed fixtures, refer to LED Mfr. specs. UL rated up to 35W Halogen.

