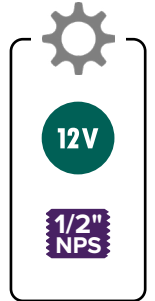
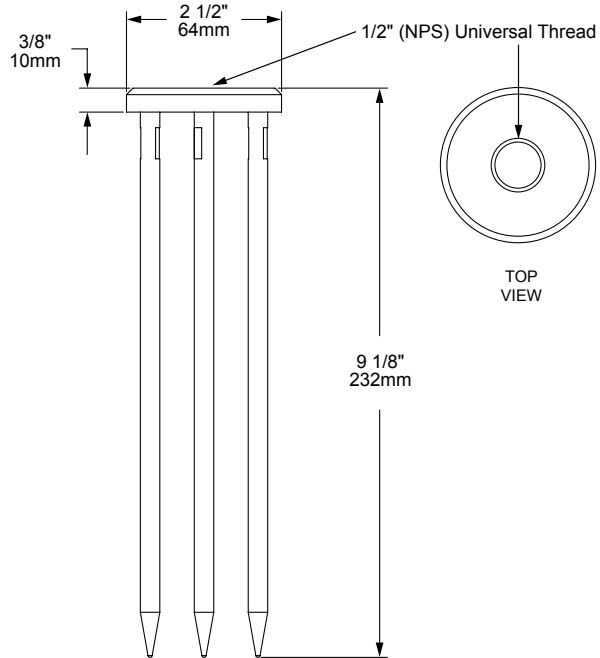


# DS DELUXE SPIKE



DS-NAT



**ORDERING GUIDE:** <sup>Prefix</sup> **DS** D (DELUXE) S (SPIKE)

INDICATES REQUIRED FIELD     INDICATES OPTIONAL FIELD



**FINISH**

Standard (Included):

**[NAT]** Natural

Plus (Optional):

**[BLP]** Bronze Living Patina

**[BLP-XD]** BLP Extra Dark

Premium (Optional):

**[NI]** Nickel PVD

**[PVD]** PVD Color (Contact Factory for Availability)

