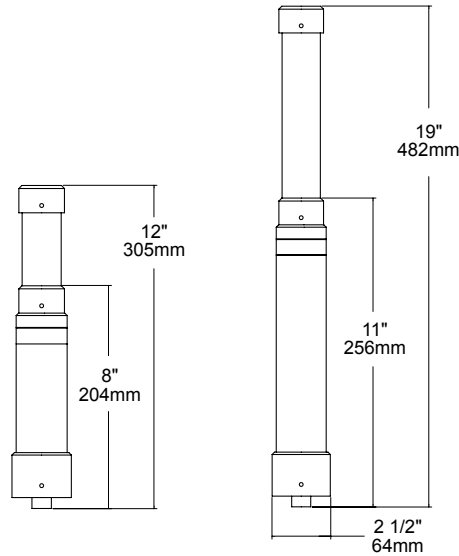


TYPE:
CAT. #: HD-RISER-

HD TELESCOPIC RISER

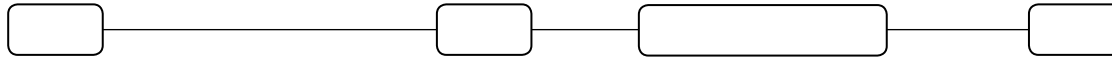


The **HD Telescopic Riser** from Auroralight is designed specifically for larger and heavier fixtures such as the: LSL4, SL20, SL30 and MSL 16, 20 & 30 Ceramic Metal Halide spot lights. The HD risers significantly reduce system maintenance by allowing the fixture to adjust upward as the landscape matures around it. It is a quick solution for an existing problem or a proactive application allowing for future growth in the landscape. The HD riser is machined from solid brass and heavy copper tube with silicone O-rings and a robust clutch assembly. Custom sizes available, please consult factory. Each unit is shipped complete with a ground stake assembly (unless otherwise selected) and cord set. See below for available mount options.



ORDERING GUIDE HD TELESCOPIC RISER: ^{Prefix} HD (HEAVY DUTY) TELESCOPIC RISER

☐ INDICATES REQUIRED FIELD ☐ INDICATES OPTIONAL FIELD



FIXTURE ATTACHMENT
[1/2] 1/2" NPS Female Threaded Hole
 Fits Aurora path lights & 1/2" Universal fixtures
[AMS] Auroralight Mount System
 Adds 1/2" Brass Adapter to fit SL, LSL and HSL series directional luminaires.

HEIGHT
[8x12] 8x12"
[11x19] 11x19"

MOUNT OPTIONS
[1/2] 1/2" Male Thread
[3G/S] Ground Stake (Default)*
[P/B-S] Power Stake 120V-12V
[T/R-X] Trident Spike (9" or 12")
[JB3-S] 3" J-Box w/ Stake
[P/M] Pedestal Mount J-Box

FINISH
[NAT] Natural
[BLP] Bronze Living Patina
[BLP-XD] BLP Extra Dark
[NI] Nickel PVD

