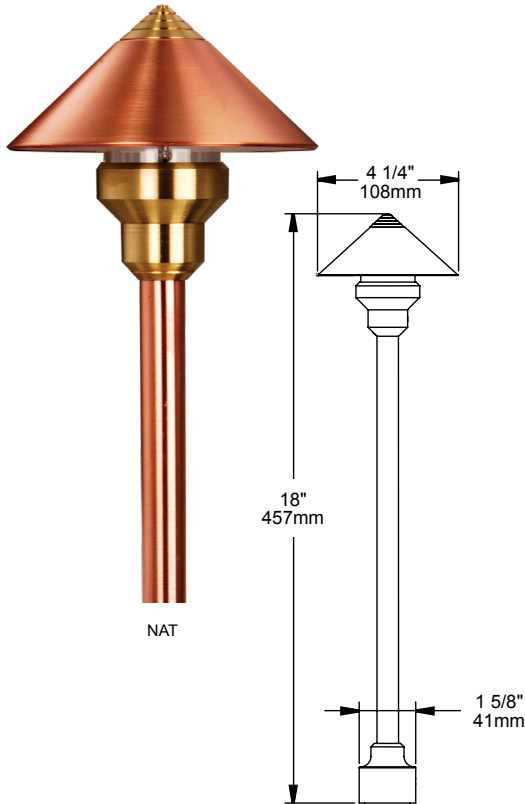


HPL5 MADAGASCAR



The compact size of the **HPL5** allows for it to be installed discretely into planters and is ideal for illuminating pathways and intimate garden areas. Use anywhere a less obvious light source is desired. With a timeless design, precision manufacturing and the highest quality materials, our HPL luminaires are the clear choice.

Every HPL series path light gives you a choice of a Thermally Integrated® Field Serviceable LED Module or traditional Halogen lamp. Using Copper Core™ Technology, the HPL module is specifically engineered to transfer heat away from the LED driver/circuit and dissipate throughout the luminaire, ensuring optimal performance, color consistency and long life!

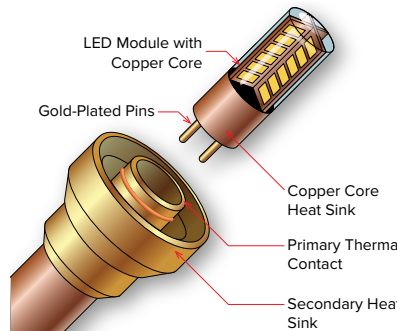
Features include:

- Interchangeable LED Module in 2.5 or 3.5 Watts
- 2700 or 3000K (CRI 80 typ.)
- Thermally Integrated® Field Serviceable LED Module
- TRIAC Dimming to <10% typ.
- 12 VAC Electronic or Magnetic Source Compatible
- Solid Copper and Brass Construction
- Patent Pending

LED **hybrid** HALOGEN

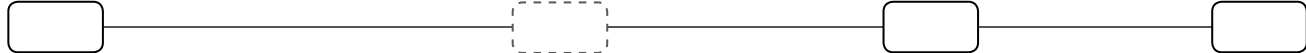
12V

COPPER CORE TECHNOLOGY™



ORDERING GUIDE: **HPL5** H (HYBRID) PL (PATH LIGHT) 5 (4 1/4" INCHES)

□ INDICATES REQUIRED FIELD ▭ INDICATES OPTIONAL FIELD



Auroralight LED Module

- [227]** 2.5 Watts, 2700K
- [230]** 2.5 Watts, 3000K
- [327]** 3.5 Watts, 2700K
- [330]** 3.5 Watts, 3000K

ACCESSORIES (Select One)

- [180]** 180° Directional Reflector™ *
- [270]** 270° Directional Reflector™ *
- [ID]** Internal Diffuser (Frosted)

* Visible light

MOUNT

- [1/2]** 1/2" Male Thread
- [G/S]** Ground Stake
- [D/S]** Deluxe Stake 9"
- [T/R-X]** Trident Spike (9" or 12")
- [P/B-S]** Power Box w/ Stake (Inc. 60W 120-12V transformer)
- [P/M]** 4" Pedestal Mount
- [SM3]** 3 1/4" Surface Mount
- [SM2]** 2 1/4" Surface Mount

[X] = Specify Length

NOTE: See Mount Guide for more options

FINISH

- [NAT]** Natural
- [BLP]** Bronze Living Patina
- [BLP-XD]** BLP Extra Dark
- [NI]** Nickel PVD

ACCESSORIES



MOUNTS

