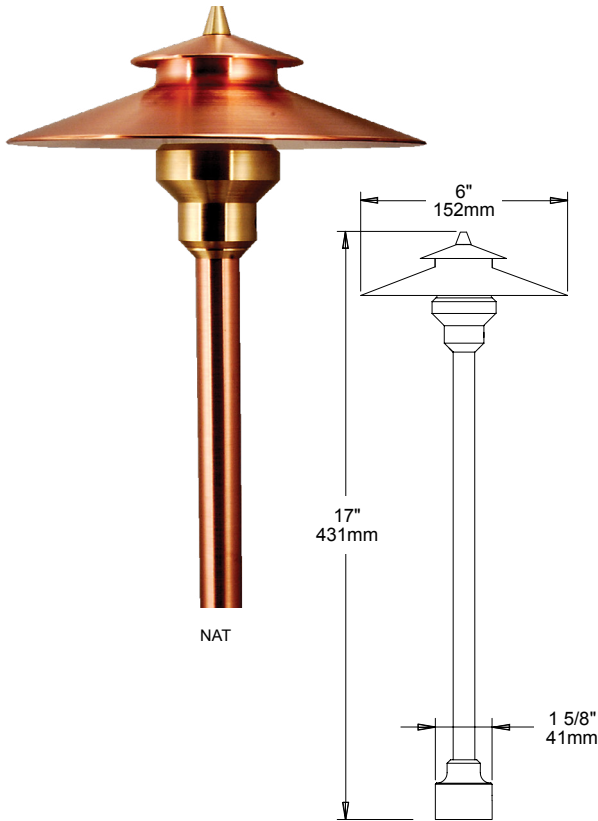


HPL6 LA JOLLA



The compact size of the **HPL6** allows for it to be installed discretely into planters and is ideal for illuminating pathways and intimate garden areas. Use anywhere a less obvious light source is desired. With a timeless design, precision manufacturing and the highest quality materials, our HPL luminaires are the clear choice.

Every HPL series path light gives you a choice of a Thermally Integrated® Field Serviceable LED Module or traditional Halogen lamp. Using Copper Core™ Technology, the HPL module is specifically engineered to transfer heat away from the LED driver/circuit and dissipate throughout the luminaire, ensuring optimal performance, color consistency and long life!

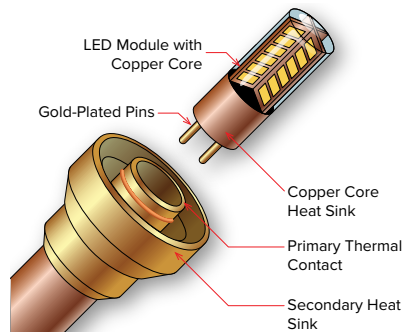
Features include:

- Interchangeable LED Module in 2.5 or 3.5 Watts
- 2700 or 3000K (CRI 80 typ.)
- Thermally Integrated® Field Serviceable LED Module
- TRIAC Dimming to <10% typ.
- 12 VAC Electronic or Magnetic Source Compatible
- Solid Copper and Brass Construction
- Patent Pending

LED hybrid HALOGEN

12V

COPPER CORE TECHNOLOGY™



ORDERING GUIDE: **HPL6** H (HYBRID) PL (PATH LIGHT) 6 (INCHES)

☐ INDICATES REQUIRED FIELD ☐ INDICATES OPTIONAL FIELD

Auroralight LED Module	ACCESSORIES (Select One)	MOUNT	FINISH
[227] 2.5 Watts, 2700K [230] 2.5 Watts, 3000K [327] 3.5 Watts, 2700K [330] 3.5 Watts, 3000K	[180] 180° Directional Reflector™ * [270] 270° Directional Reflector™ * [ID] Internal Diffuser (Frosted)	[1/2] 1/2" Male Thread [G/S] Ground Stake [D/S] Deluxe Stake 9" [T/R-X] Trident Spike (9" or 12") [P/B-S] Power Box w/ Stake (Inc. 60W 120-12V transformer) [P/M] 4" Pedestal Mount [SM3] 3 1/4" Surface Mount [SM2] 2 1/4" Surface Mount	[NAT] Natural [BLP] Bronze Living Patina [BLP-XD] BLP Extra Dark [NI] Nickel PVD
	* Visible light	[X] = Specify Length NOTE: See Mount Guide for more options	

